

GS-HYDRO – INTERPUMP FLUID SOLUTIONS

STAINLESS STEEL HOSE COUPLINGS



GS-PIPING WITHOUT WELDING™



INTERPUMP
FLUID SOLUTIONS

Powered by I.M.M. Hydraulics



GS-Hydro



Main Index

STANDARD TAILS 1 – 60
INTER-LOCK TAILS 61 – 80

Index

X001C 6
X0022 7
X0001 8
X0002, XBMC1 9
XBMC2, X0003 10
X0007, X0008 11
XPTFE, X0009 12
X004H, X0345 13
X0061, X0062 14
X0350 15
X0051 16
X0052 17
X0151, X0150 18
X0152 19
X0251, X0250 20
X0252 21
X0360 22
X1400, X1600-00 23
X1600 24
X0370 25
X0850 26
X0901 27
X0902, X0951 28
X0950, X0952 29
X1001, X1000 30
X1002 31
X0400 32
X0035 33
X0135, X0235 34
X0500 35
X0085 36
X0085 37
X0185 38
X0285 39
X0450 40
X0084 41
X0184 42
X0284 43
X1350 44
X1650 45
X0550 46
X0650 47
X0750 48
XFK50 49
XS350 50
XS050 51
XS150 52
XS250 53
X1260 54
X1060 55
X1160, XS003 56
X1310 57
X1110 58
X1210 59
XS006, XD050 60



X001C



Swaged Ferrule (no skive)

6

X0022



Swaged Ferrule (no skive)

7

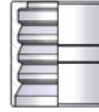
X0001



Swaged Ferrule (skive)

8

X0002



Swaged Ferrule (skive)

9

XBMC1



Swaged Ferrule (no skive)

9

XBMC2



Swaged Ferrule (no skive)

10



X0003



Swaged Ferrule (no skive)

10



X0007



Swaged Ferrule (no skive)

11

X0008



Swaged Ferrule (no skive)

11

XPTFE

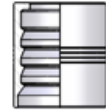


Ferrule for PTFE hose

12



X0009



Swaged Ferrule (skive)

12

X004H



Swaged Ferrule (skive)

13



X0345



BSP Male - Flat Seat

13

X0061



BSP Female Flat Seal

14

X0062



BSP Female Flat Seal Slip on Nut

14



X0350



BSP Male Parallel 60° cone

15



X0051



BSP Female 60° Cone Crimped Nut

16

X0052



BSP Female 60° Cone Slip On Nut

17

X0151



BSP 90° Swept elbow
60° cone - Crimped
Nut

18

X0150



BSP 90° Swept Elbow
60° cone Thrust Wire

18

X0152



BSP 90° Swept elbow
60° cone Slip On Nut

19

X0251



BSP 45° Swept Elbow
60° Cone - Crimped
Nut

20

X0250



BSP 45° Swept Elbow
60° Cone Thrust Wire
Nut with O-Ring

20

X0252



BSP 45° Swept Elbow
60° Cone Slip On Nut

21



X0360



BSP Taper Male 60°
cone

22



X1400



BSP Banjo

23

X1600-00



BSP perfored bolt

23

X1600



Double BSP perfored
bolt

24



X0370



NPTF Male 60° cone

25



X0850



JIC Male 74° cone

26



X0901



JIC Female 74° cone
Crimped Nut

27

X0902



JIC Female 74° cone
Slip On Nut

28

X0951



JIC 90° Swept Elbow
74° cone - Crimped
Nut

28

X0950



JIC 90° Swept Elbow
74° cone Thrust Wire

29

X0952



JIC 90° Swept Elbow
74° cone Slip on Nut

29

X1001



JIC 45° Swept Elbow
74° Cone - Crimped
Nut

30

X1000



JIC 45° Swept Elbow
74° cone Thrust Wire

30

X1002



JIC 45° Swept Elbow
74° Cone Slip On Nut

31



X0400



Metric Male 60° cone

32



X0035



Metric Female 24°
Seat Light Multiseal

33

X0135



90° Metric Swept
Elbow 24° Seat Light
Multiseal

34

X0235



45° Metric Swept
Elbow 24° Seat Light
Multiseal

34



X0500



Metric Male 24° Seat
Light

35



X0085



Metric Female 24°
Seat Light

36

X0085



Metric Female 24°
Seat Light Crimped
Nut

37

X0185



90° Metric Swept
Elbow 24° Seat Light

38

X0185



90° Metric Swept
Elbow 24° Seat Light
Crimped Nut

38

X0285



45° Metric Swept
Elbow 24° Seat Light

39

X0285



45° Metric Swept
Elbow 24° Seat Light
Crimped Nut

39



X0450



Metric Male 24° Seat
Heavy

40



X0084



Metric Female 24°
Seat Heavy

41

X0184



90° Metric Swept
Elbow 24° Seat Heavy

42

X0284



45° Metric Swept
Elbow 24° Seat Heavy

43



X1350



Metric Banjo

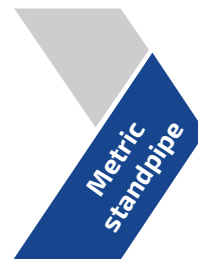
44

X1650



Metric perfored bolt

45



X0550



Metric Standpipe

46

X0650



90° Metric Standpipe

47

X0750



45° Metric Standpipe

48



XFK50



K' Female

49



XS350



ORFS Male

50



XS050



ORFS Female

51

XS150



ORFS 90° Swept Elbow

52

XS250



ORFS 45° Swept Elbow

53



X1260



Straight SAE Flange 3000 PSI

54

X1060



90° SAE Flange 3000 PSI

55

X1160



45° SAE Flange 3000 PSI

56

XS003



Cut Split Flanges - 3000 psi

56



X1310



Straight SAE Flange 6000 PSI

57

X1110



90° SAE Flange 6000 PSI

58

X1210



45° SAE Flange 6000 PSI

59

XS006



Cut Split Flanges - 6000 psi

60



XD050

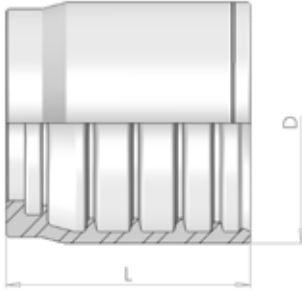


Hose Junction

60

X001C

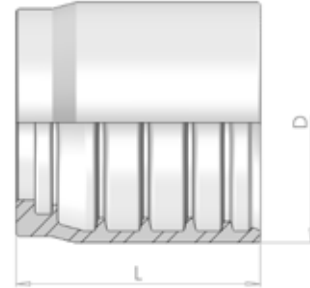
Swaged Ferrule (no skive)



Part number	Hose I.D.		Dimensions		Skive Length
			D	L	
	in	mm			
X001C-03	3/16	4.8	19	24	NO
X001C-04	1/4	6.4	20	26	NO
X001C-05	5/16	7.9	22	26	NO
X001C-06	3/8	9.5	25	28	NO
X001C-08	1/2	12.7	28	28	NO
X001C-10	5/8	15.9	32	29	NO
X001C-12	3/4	19	36	38	NO
X001C-16	1	25.4	44	47.5	NO
X001C-20	1.1/4	31.8	54	56	NO
X001C-24	1.1/2	38.1	62	66	NO
X001C-32	2	50.8	75	73	NO
X001C-40	2.1/2	63.5	88.4	90	NO
X001C48	3	76.2	101.5	90	NO

X0022

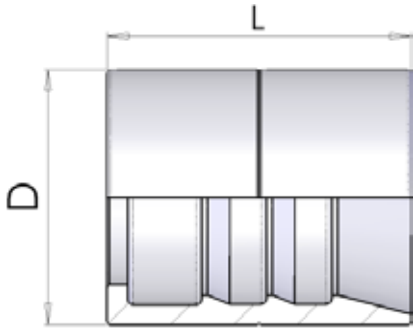
Swaged Ferrule (no skive)



Part number	Hose I.D.		Dimensions		Skive Length
			D	L	
	in	mm			
X0022-03	3/16	4.8	21	25.6	NO
X0022-04	1/4	6.4	22	28	NO
X0022-05	5/16	7.9	24	28	NO
X0022-06	3/8	9.5	26	28	NO
X0022-08	1/2	12.7	30	31	NO
X0022-10	5/8	15.9	34	31	NO
X0022-12	3/4	19	37	38	NO
X0022-16	1	25.4	47	47.5	NO
X0022-20	1.1/4	31.8	58	56	NO
X0022-24	1.1/2	38.1	65.6	66	NO
X0022-32	2	50.8	78.6	73	NO

X0001

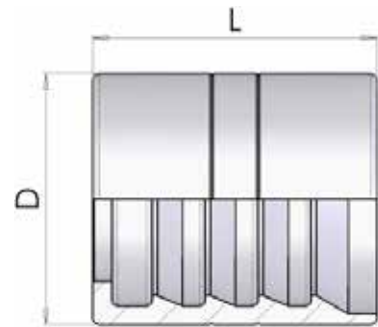
Swaged Ferrule (skive)



Part number	Hose I.D.		Dimensions		Skive Length
			D	L	
	in	mm			
X0001-03	3/16	4.8	17.5	27	20
X0001-04	1/4	6.4	20	30.2	23
X0001-05	5/16	7.9	22	30.7	23
X0001-06	3/8	9.5	24	32	24
X0001-08	1/2	12.7	28.5	34	25
X0001-10	5/8	15.9	32	37	27
X0001-12	3/4	19	36	43	31
X0001-16	1	25.4	43	50	37
X0001-20	1.1/4	31.8	52	57	46
X0001-24	1.1/2	38.1	57	63	44
X0001-32	2	50.8	70.6	78	60

X0002

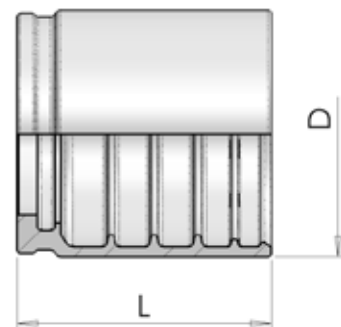
Swaged Ferrule (skive)



Part number	Hose I.D.		Dimensions		Skive Length
			D	L	
	in	mm			
X0002-03	3/16	4.8	20	27	21
X0002-04	1/4	6.4	21	30	22
X0002-05	5/16	7.9	24	30	22
X0002-06	3/8	9.5	25.4	32	24
X0002-08	1/2	12.7	30	34	25
X0002-10	5/8	15.9	34	37	27
X0002-12	3/4	19	38	43	31
X0002-16	1	25.4	46	50	37
X0002-20	1.1/4	31.8	56	59	43
X0002-24	1.1/2	38.1	62	63	45
X0002-32	2	50.8	75	79	61

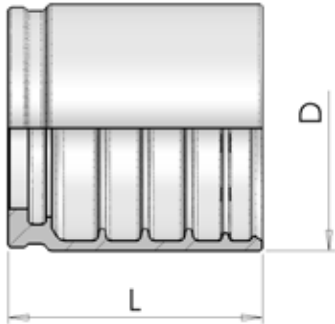
XBMC1

Swaged Ferrule (no skive)



Part number	Hose I.D.		Dimensions		Skive Length
			D	L	
	in	mm			
XBMC1-12	3/4	19	45	41	NO
XBMC1-16	1	25.4	53.5	56	NO
XBMC1-20	1.1/4	31.8	62	62	NO

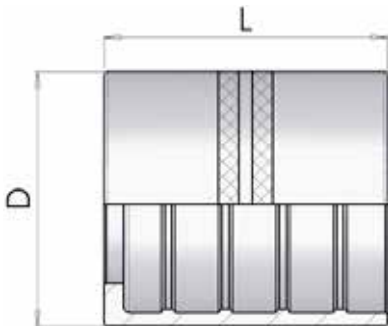
XBMC2



Swaged Ferrule (no skive)

Part number	Hose I.D.		Dimensions		Skive Length
			D	L	
	in	mm			
XBMC2-20	1.1/4	31.8	66	62	NO
XBMC2-24	1.1/2	38.1	73.3	70	NO

X0003

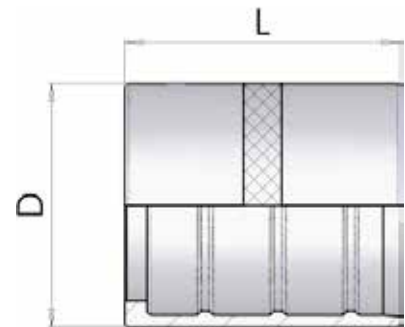


Swaged Ferrule (no skive)

Part number	Hose I.D.		Dimensions		Skive Length
			D	L	
	in	mm			
X0003-03	3/16	4.8	14	27	NO
X0003-04	1/4	6.4	19	29	NO
X0003-05	5/16	7.9	22	30	NO
X0003-06	3/8	9.5	24	31	NO
X0003-08	1/2	12.7	28.5	34	NO
X0003-10	5/8	15.9	32	36	NO
X0003-12	3/4	19	38	42	NO
X0003-16	1	25.4	46	50	NO
X0003-20	1.1/4	31.8	52	57	NO

X0007

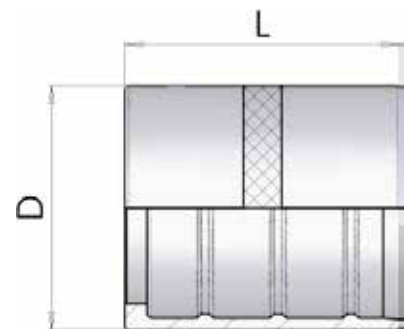
Swaged Ferrule (no skive)



Part number	Hose I.D.		Dimensions		Skive Length
			D	L	
	in	mm			
X0007-03	3/16	4.8	14	27	NO
X0007-04	1/4	6.4	17	29	NO
X0007-05	5/16	7.9	19	30	NO
X0007-06	3/8	9.5	21	31	NO
X0007-08	1/2	12.7	25.4	34	NO
X0007-10	5/8	15.9	28.5	36	NO
X0007-12	3/4	19	32	36	NO
X0007-16	1	25.4	40	50	NO

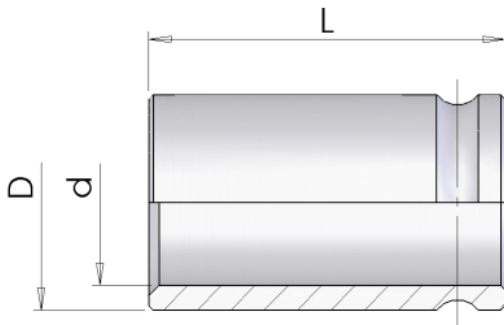
X0008

Swaged Ferrule (no skive)



Part number	Hose I.D.		Dimensions		Skive Length
			D	L	
	in	mm			
X0008-03	3/16	4.8	13	27	NO
X0008-04	1/4	6.4	17	29	NO
X0008-05	5/16	7.9	19	30	NO
X0008-06	3/8	9.5	21.5	31	NO
X0008-08	1/2	12.7	26	34	NO
X0008-10	5/8	15.9	29	40	NO
X0008-12	3/4	19	32	42	NO
X0008-16	1	25.4	40	50	NO

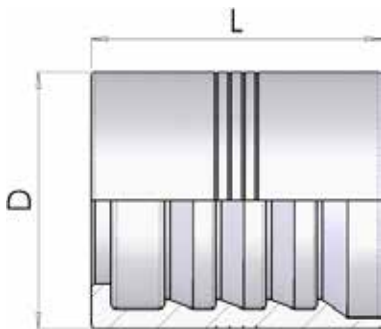
XPTFE



Ferrule for PTFE hose

Part number	Hose I.D.		Dimensions		Skive Lenght
			D	L	
	in	mm			
XPTFE-03	3/16	4.8	9.5	22	NO
XPTFE-04	1/4	6.4	11.1	23.9	NO
XPTFE-05	5/16	7.9	13	24.6	NO
XPTFE-06	3/8	9.5	15	27.4	NO
XPTFE-08	1/2	12.7	18.3	28.7	NO
XPTFE-10	5/8	15.9	23.1	31.7	NO
XPTFE-12	3/4	19	24.8	34.5	NO
XPTFE-16	1	25.4	34.3	43.6	NO

X0009

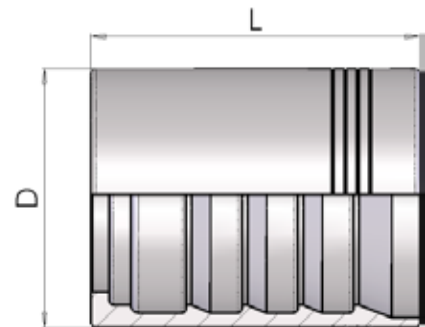


Swaged Ferrule (skive)

Part number	Hose I.D.		Dimensions		Skive Lenght
			D	L	
	in	mm			
X0009-04	1/4	6.4	15.3	30	22
X0009-06	3/8	9.5	18.3	33.5	26
X0009-08	1/2	12.7	22	36	28
X0009-10	5/8	15.9	25.7	40	31
X0009-12	3/4	19	29.4	43	34
X0009-16	1	25.4	36.1	60	48
X0009-20	1.1/4	31.8	46.7	66	54
X0009-24	1.1/2	38.1	55.7	76.5	62
X0009-32	2	50.8	68.8	79.8	64

X004H

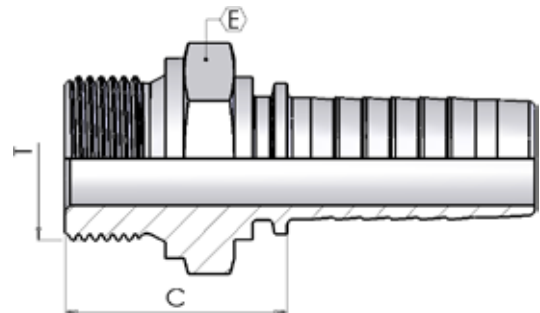
Swaged Ferrule (skive)



Part number	Hose I.D.		Dimensions		Skive Length
			D	L	
	in	mm			
X004H-20	1.1/4	31.8	43	66	55
X004H-24	1.1/2	38.1	50.4	76.5	63
X004H-32	2	50.8	65.5	79.8	65

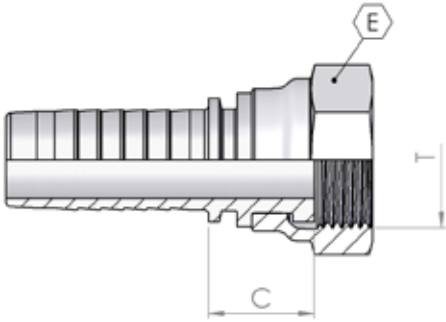
X0345

BSP Male - Flat Seat



Part number	Hose I.D.		Dimensions			
			dash	Thread	Cut-Off	Hex
			size	T	C	E
X0345-03-02	3/16	4.8	03	1/8-28	21	14
X0345-04-04	1/4	6.4	04	1/4-19	27	19
X0345-04-06	1/4	6.4	04	3/8-19	28	22
X0345-05-06	5/16	7.9	05	3/8-19	28	22
X0345-06-06	3/8	9.5	06	3/8-19	29	22
X0345-06-08	3/8	9.5	06	1/2-14	32	27
X0345-08-08	1/2	12.7	08	1/2-14	33	27
X0345-08-10	1/2	12.7	08	5/8-14	35	30
X0345-08-12	1/2	12.7	08	3/4-14	35	32
X0345-10-10	5/8	15.9	10	5/8-14	35	30
X0345-10-12	5/8	15.9	10	3/4-14	35	32
X0345-12-12	3/4	19	12	3/4-14	36	32
X0345-12-16	3/4	19	12	1-11	39	41
X0345-16-16	1	25.4	16	1-11	40	41

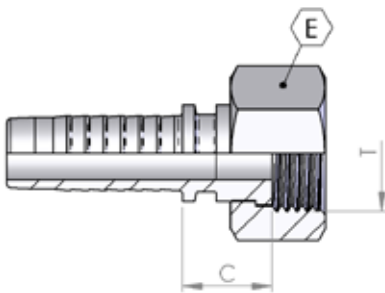
X0061



BSP Female Flat Seal

Part number	Hose I.D.		Dimensions			
			dash	Thread	Cut-Off	Hex
	in	mm	size	T	C	E
X0061-08-12	1/2	12.7	08	3/4-14	23	32
X0061-10-10	5/8	15.9	10	5/8-14	16	30
X0061-10-12	5/8	15.9	10	3/4-14	20	32
X0061-12-12	3/4	19	12	3/4-14	21	32
X0061-12-16	3/4	19	12	1-11	23	38
X0061-16-16	1	25.4	16	1-11	22	38
X0061-24-24	1.1/2	38.1	24	1.1/2-11	27	55

X0062

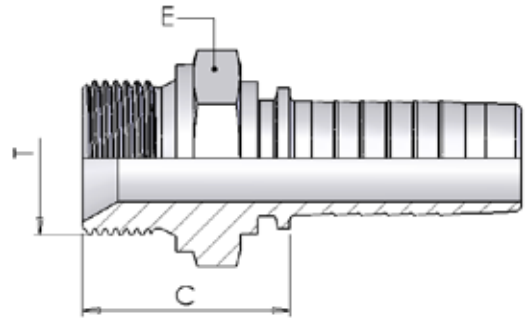


BSP Female Flat Seal - Slip on Nut

Part number	Hose I.D.		Dimensions			
			dash	Thread	Cut-Off	Hex
	in	mm	size	T	C	E
X0062-04-04	1/4	6.4	04	1/4-19	14	19
X0062-04-06	1/4	6.4	04	3/8-19	15	22
X0062-05-06	5/16	7.9	05	3/8-19	15	22
X0062-06-06	3/8	9.5	06	3/8-19	15	22
X0062-06-08	3/8	9.5	06	1/2-14	16	27
X0062-08-08	1/2	12.7	08	1/2-14	16	27

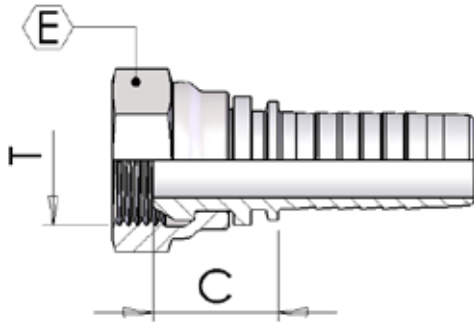
X0350

BSP Male Parallel 60° Cone



Part number	Hose I.D.		Dimensions			
			dash	Thread	Cut-Off	Hex
	in	mm	size	T	C	E
X0350-03-02	3/16	4.8	03	1/8-28	21	14
X0350-03-04	3/16	4.8	03	1/4-19	26	19
X0350-04-02	1/4	6.4	04	1/8-28	21	14
X0350-04-04	1/4	6.4	04	1/4-19	27	19
X0350-04-06	1/4	6.4	04	3/8-19	28	22
X0350-04-08	1/4	6.4	04	1/2-14	35	27
X0350-05-04	5/16	7.9	05	1/4-19	27	19
X0350-05-06	5/16	7.9	05	3/8-19	28	22
X0350-05-08	5/16	7.9	05	1/2-14	32	27
X0350-06-04	3/8	9.5	06	1/4-19	27	19
X0350-06-06	3/8	9.5	06	3/8-19	29	22
X0350-06-08	3/8	9.5	06	1/2-14	32	27
X0350-08-06	1/2	12.7	08	3/8-19	29	22
X0350-08-08	1/2	12.7	08	1/2-14	33	27
X0350-08-10	1/2	12.7	08	5/8-14	34	30
X0350-08-12	1/2	12.7	08	3/4-14	35	32
X0350-10-08	5/8	15.9	10	1/2-14	33	27
X0350-10-10	5/8	15.9	10	5/8-14	35	30
X0350-10-12	5/8	15.9	10	3/4-14	35	32
X0350-12-12	3/4	19	12	3/4-14	36	32
X0350-12-16	3/4	19	12	1-11	39	41
X0350-16-16	1	25.4	16	1-11	40	41
X0350-16-20	1	25.4	16	1.1/4-11	44	50
X0350-20-16	1.1/4	31.8	20	1-11	41	41
X0350-20-20	1.1/4	31.8	20	1.1/4-11	45	50
X0350-20-24	1.1/4	31.8	20	1.1/2-11	46	55
X0350-24-24	1.1/2	38.1	24	1.1/2-11	46	55
X0350-24-32	1.1/2	38.1	24	2-11	54	70
X0350-32-24	2	50.8	32	1.1/2-11	50	65
X0350-32-32	2	50.8	32	2-11	54	70

X0051

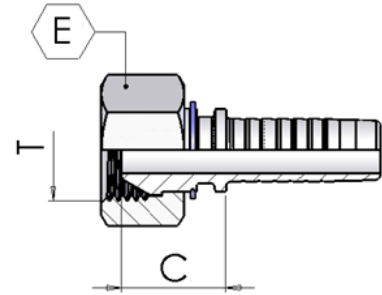


BSP Female 60° Cone - Crimped Nut

Part number	Hose I.D.		Dimensions			
			dash	Thread	Cut-Off	Hex
	in	mm	size	T	C	E
X0051-03-02	3/16	4.8	03	1/8-28	15	14
X0051-04-02	1/4	6.4	04	1/8-28	15	14
X0051-04-08	1/4	6.4	04	1/2-14	22	27
X0051-05-04	5/16	7.9	05	1/4-19	17	19
X0051-06-04	3/8	9.5	06	1/4-19	17	19
X0051-08-06	1/2	12.7	08	3/8-19	20	22
X0051-08-10	1/2	12.7	08	5/8-14	20	30
X0051-08-12	1/2	12.7	08	3/4-14	27	32
X0051-10-08	5/8	15.9	10	1/2-14	23	27
X0051-10-10	5/8	15.9	10	5/8-14	20	30
X0051-10-12	5/8	15.9	10	3/4-14	25	32
X0051-12-08	3/4	19	12	1/2-14	24	27
X0051-12-12	3/4	19	12	3/4-14	25	32
X0051-12-16	3/4	19	12	1-11	26	38
X0051-16-12	1	25.4	16	3/4-14	27	32
X0051-16-16	1	25.4	16	1-11	27	38
X0051-20-20	1.1/4	31.8	20	1.1/4-11	33	50
X0051-24-24	1.1/2	38.1	24	1.1/2-11	33	70
X0051-32-32	2	50.8	32	2-11	54	70

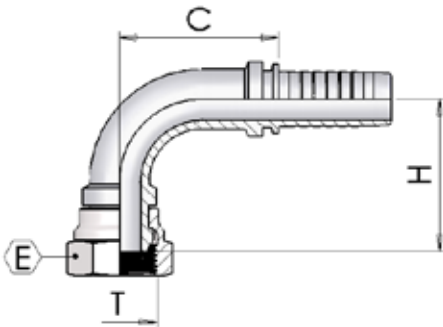
X0052

BSP Female 60° Cone - Slip On Nut



Part number	Hose I.D.		Dimensions			
			dash	Thread	Cut-Off	Hex
	in	mm	size	T	C	E
X0052-03-04	3/16	4.8	03	1/4-19	17	19
X0052-04-04	1/4	6.4	04	1/4-19	17	19
X0052-04-06	1/4	6.4	04	3/8-19	19	22
X0052-05-06	5/16	7.9	05	3/8-19	19	22
X0052-05-08	5/16	7.9	05	1/2-14	22	27
X0052-06-06	3/8	9.5	06	3/8-19	17	22
X0052-06-08	3/8	9.5	06	1/2-14	22	27
X0052-08-08	1/2	12.7	08	1/2-14	21	27

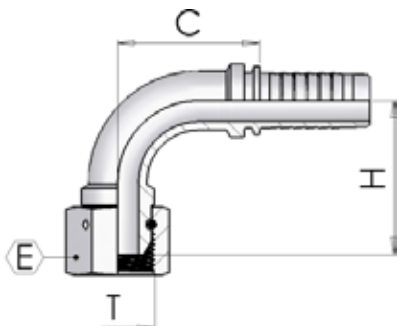
X0151



BSP 90° Swept elbow 60° Cone - Crimped Nut

Part number	Hose I.D.		Dimensions				
			dash	Thread	Cut-Off	Hex	Drop
	in	mm	size	T	C	E	H
X0151-03-02	3/16	4.8	03	1/8-28	22	14	23
X0151-04-02	1/4	6.4	04	1/8-28	25	14	25
X0151-05-04	5/16	7.9	05	1/4-19	31	19	31
X0151-06-04	3/8	9.5	06	1/4-19	31	19	33
X0151-08-06	1/2	12.7	08	3/8-19	39	22	42
X0151-08-10	1/2	12.7	08	5/8-14	40	30	41
X0151-08-12	1/2	12.7	08	3/4-14	41	32	46
X0151-10-10	5/8	15.9	10	5/8-14	43	30	43
X0151-10-12	5/8	15.9	10	3/4-14	45	32	50
X0151-12-12	3/4	19	12	3/4-14	58	32	57
X0151-12-16	3/4	19	12	1-11	56	38	60
X0151-16-16	1	25.4	16	1-11	70	38	67

X0150

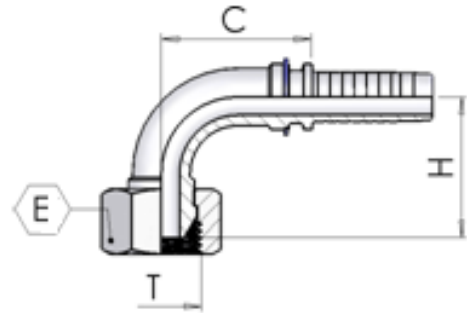


BSP 90° Swept Elbow 60° Cone - Thrust Wire

Part number	Hose I.D.		Dimensions				
			dash	Thread	Cut-Off	Hex	Drop
	in	mm	size	T	C	E	H
X0150-20-20	1.1/4	31.8	20	1.1/4-11	86	50	81
X0150-24-24	1.1/2	38.1	24	1.1/2-11	103	55	95
X0150-32-32	2	50.8	32	2-11	122	70	135

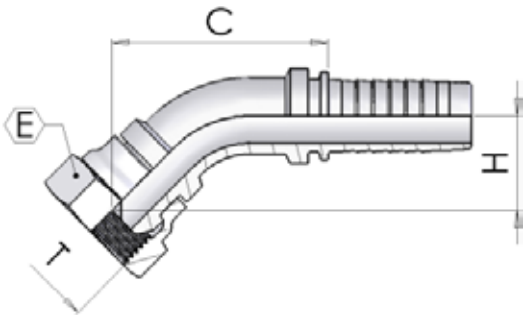
X0152

BSP 90° Swept elbow 60° Cone - Slip On Nut



Part number	Hose I.D.		Dimensions				
			dash size	Thread T	Cut-Off C	Hex E	Drop H
	in	mm					
X0152-03-04	3/16	4.8	03	1/4-19	22	19	22
X0152-04-04	1/4	6.4	04	1/4-19	25	17	27
X0152-04-06	1/4	6.4	04	3/8-19	27	22	25
X0152-05-06	5/16	7.9	05	3/8-19	29	22	35
X0152-06-06	3/8	9.5	06	3/8-19	42	22	31
X0152-06-08	3/8	9.5	06	1/2-14	31	27	40
X0152-08-08	1/2	12.7	08	1/2-14	42	27	41

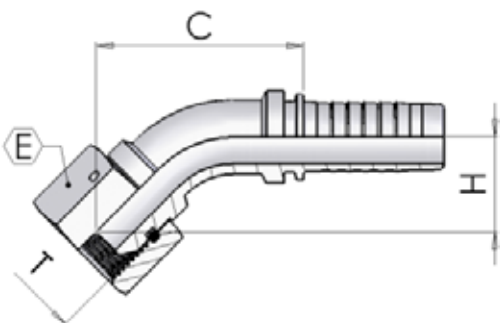
X0251



BSP 45° Swept Elbow 60° Cone - Crimped Nut

Part number	Hose I.D.		Dimensions				
			dash size	Thread T	Cut-Off C	Hex E	Drop H
X0251-03-02	3/16	4.8	03	1/8-28	33	14	15
X0251-04-02	1/4	6.4	04	1/8-28	40	14	14
X0251-05-04	5/16	7.9	05	1/4-19	47	19	16
X0251-06-04	3/8	9.5	06	1/4-19	50	19	16
X0251-08-06	1/2	12.7	08	3/8-19	63	22	22
X0251-08-10	1/2	12.7	08	5/8-14	64	30	21
X0251-08-12	1/2	12.7	08	3/4-14	67	32	26
X0251-10-08	5/8	15.9	10	1/2-14	68	27	24
X0251-10-10	5/8	15.9	10	5/8-14	68	30	23
X0251-10-12	5/8	15.9	10	3/4-14	72	32	27
X0251-12-12	3/4	19	12	3/4-14	86	32	30
X0251-12-16	3/4	19	12	1-11	88	38	32
X0251-16-16	1	25.4	16	1-11	107	38	35

X0250

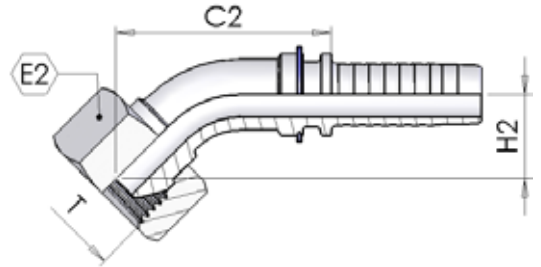


BSP 45° Swept Elbow 60° Cone - Thrust Wire Nut with O-Ring

Part number	Hose I.D.		Dimensions				
			dash size	Thread T	Cut-Off C	Hex E	Drop H
X0250-20-20	1.1/4	31.8	20	1.1/4-11	107	50	40
X0250-24-24	1.1/2	38.1	24	1.1/2-11	117	55	47
X0250-32-32	2	50.8	32	2-11	142	70	65

X0252

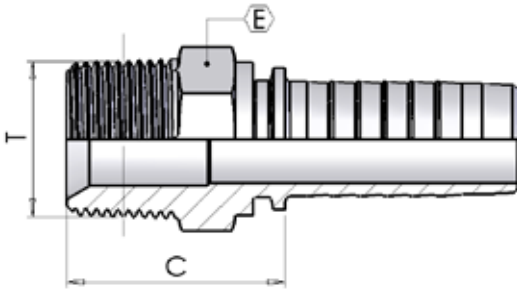
BSP 45° Swept Elbow 60° Cone - Slip On Nut



Part number	Hose I.D.		Dimensions				
			dash	Thread	Cut-Off	Hex	Drop
	in	mm	size	T	C	E	H
X0252-03-04	3/16	4.8	03	1/4-19	35	19	15
X0252-04-04	1/4	6.4	04	1/4-19	41	19	15
X0252-04-06	1/4	6.4	04	3/8-19	44	22	18
X0252-05-06	5/16	7.9	05	3/8-19	51	22	19
X0252-06-06	3/8	9.5	06	3/8-19	49	22	15
X0252-06-08	3/8	9.5	06	1/2-14	55	27	21
X0252-08-08	1/2	12.7	08	1/2-14	61	27	19

X0360

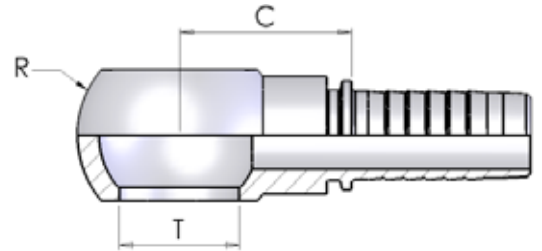
BSP Taper Male 60° Cone



Part number	Hose I.D.		Dimensions			
			dash	Thread	Cut-Off	Hex
	in	mm	size	T	C	E
X0360-03-02	3/16	4.8	03	1/8-28	21	12
X0360-03-04	3/16	4.8	03	1/4-19	27	15
X0360-04-02	1/4	6.4	04	1/8-28	22	12
X0360-04-04	1/4	6.4	04	1/4-19	28	15
X0360-04-06	1/4	6.4	04	3/8-19	28	19
X0360-05-04	5/16	7.9	05	1/4-19	28	15
X0360-05-06	5/16	7.9	05	3/8-19	28	19
X0360-06-04	3/8	9.5	06	1/4-19	28	17
X0360-06-06	3/8	9.5	06	3/8-19	28	19
X0360-06-08	3/8	9.5	06	1/2-14	33	22
X0360-08-06	1/2	12.7	08	3/8-19	29	19
X0360-08-08	1/2	12.7	08	1/2-14	34	22
X0360-08-12	1/2	12.7	08	3/4-14	36	27
X0360-10-08	5/8	15.9	10	1/2-14	34	22
X0360-10-10	5/8	15.9	10	5/8-14	35	24
X0360-10-12	5/8	15.9	10	3/4-14	36	27
X0360-12-12	3/4	19	12	3/4-14	37	27
X0360-12-16	3/4	19	12	1-11	43	36
X0360-16-16	1	25.4	16	1-11	44	36
X0360-16-20	1	25.4	16	1.1/4-11	46	46
X0360-20-20	1.1/4	31.8	20	1.1/4-11	47	46
X0360-20-24	1.1/4	31.8	20	1.1/2-11	49	50
X0360-24-24	1.1/2	38.1	24	1.1/2-11	49	50
X0360-24-32	1.1/2	38.1	24	2-11	55	65
X0360-32-32	2	50.8	32	2-11	55	65

X1400

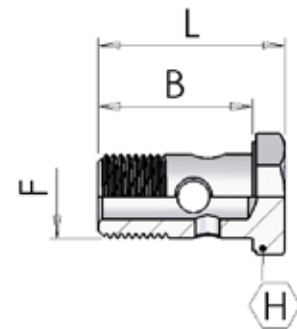
BSP Banjo



Part number	Hose I.D.		Dimensions			
			dash		Cut-Off	
	in	mm	size	mm	C	R
X1400-04-04	1/4	6.4	04	13.3	26	24
X1400-04-06	1/4	6.4	04	17	26	28
X1400-05-06	5/16	7.9	05	17	26	28
X1400-06-06	3/8	9.5	06	17	26	28
X1400-06-08	3/8	9.5	06	21.2	31	36
X1400-08-08	1/2	12.7	08	21.2	31	36
X1400-12-12	3/4	19	12	26.5	38	45
X1400-16-16	1	25.4	16	33.5	50	58

X1600-00

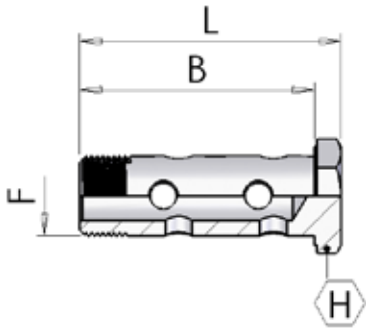
BSP perford bolt



Part number	Dimensions			
	B	F	L	Drop
	B	F	L	H
X1600-00-02	19	1/8"-28	24	14
X1600-00-04	29	1/4"-19	34	19
X1600-00-06	33	3/8"-19	41	22
X1600-00-08	38	1/2"-14	46	27
X1600-00-12	47	3/4"-14	56	32
X1600-00-16	58	1"-11	69	41

X1600

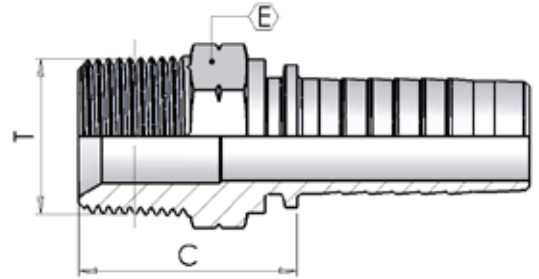
Double BSP perfored bolt



Part number	Dimensions			
	B	F	L	Drop
X1600-04-04	43	1/4"-19	49	19
X1600-06-06	49	3/8"-19	57	22
X1600-08-08	62	1/2"-14	70	27
X1600-12-12	78	3/4"-14	87	32
X1600-16-16	98	1"-11	109	41

X0370

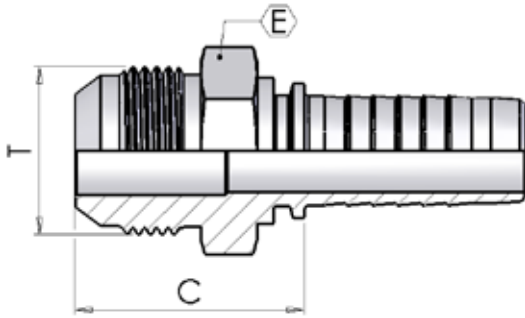
NPTF Male 60° Cone



Part number	Hose I.D.		Dimensions			
			dash	Thread	Cut-Off	Hex
	in	mm	size	T	C	E
X0370-03-02	3/16	4.8	03	1/8-27	22	12
X0370-03-04	3/16	4.8	03	1/4-18	27	15
X0370-04-02	1/4	6.4	04	1/8-27	22	12
X0370-04-04	1/4	6.4	04	1/4-18	28	15
X0370-04-06	1/4	6.4	04	3/8-18	28	19
X0370-05-04	5/16	7.9	05	1/4-18	28	15
X0370-05-06	5/16	7.9	05	3/8-18	28	19
X0370-05-08	5/16	7.9	05	1/2-14	34	22
X0370-06-04	3/8	9.5	06	1/4-18	28	17
X0370-06-06	3/8	9.5	06	3/8-18	28	19
X0370-06-08	3/8	9.5	06	1/2-14	34	22
X0370-08-06	1/2	12.7	08	3/8-18	29	19
X0370-08-08	1/2	12.7	08	1/2-14	35	22
X0370-08-12	1/2	12.7	08	3/4-14	36	27
X0370-10-08	5/8	15.9	10	1/2-14	35	24
X0370-10-12	5/8	15.9	10	3/4-14	36	27
X0370-12-08	3/4	19	12	1/2-14	36	24
X0370-12-12	3/4	19	12	3/4-14	37	27
X0370-12-16	3/4	19	12	1-11.1/2	43	36
X0370-16-16	1	25.4	16	1-11.1/2	44	36
X0370-16-20	1	25.4	16	1.1/4-11.1/2	46	46
X0370-20-16	1.1/4	31.8	20	1-11.1/2	45	41
X0370-20-20	1.1/4	31.8	20	1.1/4-11.1/2	47	46
X0370-24-24	1.1/2	38.1	24	1.1/2-11.1/2	49	50
X0370-32-32	2	50.8	32	2-11.1/2	55	65

X0850

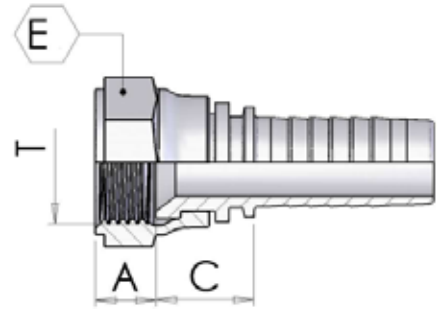
JIC Male 74° Cone



Part number	Hose I.D.		Dimensions			
			dash	Thread	Cut-Off	Hex
	in	mm	size	T	C	E
X0850-03-04	3/16	4.8	03	7/16-20	26	12
X0850-04-04	1/4	6.4	04	7/16-20	27	12
X0850-04-05	1/4	6.4	04	1/2-20	27	14
X0850-04-06	1/4	6.4	04	9/16-18	27	15
X0850-05-05	5/16	7.9	05	1/2-20	27	14
X0850-05-06	5/16	7.9	05	9/16-18	27	15
X0850-05-08	5/16	7.9	05	3/4-16	30	19
X0850-06-06	3/8	9.5	06	9/16-18	27	15
X0850-06-07	3/8	9.5	06	5/8-18	30	17
X0850-06-08	3/8	9.5	06	3/4-16	30	19
X0850-06-10	3/8	9.5	06	7/8-14	34	24
X0850-08-06	1/2	12.7	08	9/16-18	28	19
X0850-08-08	1/2	12.7	08	3/4-16	31	19
X0850-08-10	1/2	12.7	08	7/8-14	35	24
X0850-08-12	1/2	12.7	08	1.1/16-12	37	27
X0850-10-10	5/8	15.9	10	7/8-14	35	24
X0850-10-12	5/8	15.9	10	1.1/16-12	37	27
X0850-12-10	3/4	19	12	7/8-14	36	24
X0850-12-12	3/4	19	12	1.1/16-12	38	27
X0850-12-14	3/4	19	12	1.3/16-12	41	32
X0850-12-16	3/4	19	12	1.5/16-12	42	34
X0850-12-20	3/4	19	12	1.5/8-12	45	42
X0850-16-12	1	25.4	16	1.1/16-12	39	27
X0850-16-14	1	25.4	16	1.3/16-12	42	32
X0850-16-16	1	25.4	16	1.5/16-12	43	34
X0850-16-20	1	25.4	16	1.5/8-12	46	42
X0850-20-20	1.1/4	31.8	20	1.5/8-12	47	42
X0850-20-24	1.1/4	31.8	20	1.7/8-12	52	50
X0850-24-24	1.1/2	38.1	24	1.7/8-12	52	50
X0850-32-32	2	50.8	32	2.1/2-12	62	65

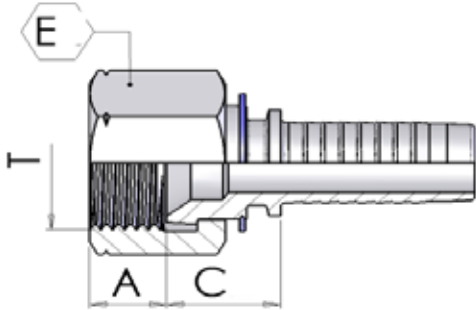
X0901

JIC Female 74° Cone Crimped Nut



Part number	Hose I.D.		Dimensions				
			dash	Thread	Cut-Off		Hex
	in	mm	size	T	C	A	E
X0901-03-04	3/16	4.8	03	7/16-20	14	9	15
X0901-04-04	1/4	6.4	04	7/16-20	14	9	15
X0901-04-07	1/4	6.4	04	5/8-18	17	11	22
X0901-05-05	5/16	7.9	05	1/2-20	15	10	17
X0901-05-07	5/16	7.9	05	5/8-18	17	9	22
X0901-06-04	3/8	9.5	06	7/16-20	15	9	15
X0901-06-05	3/8	9.5	06	1/2-20	15	10	17
X0901-06-06	3/8	9.5	06	9/16-18	16	9	19
X0901-06-07	3/8	9.5	06	5/8-18	16	11	22
X0901-08-08	1/2	12.7	08	3/4-16	18	11	24
X0901-10-10	5/8	15.9	10	7/8-14	19	13	27
X0901-12-10	3/4	19	12	7/8-14	20	13	27
X0901-12-12	3/4	19	12	1.1/16-12	22	14	32
X0901-12-14	3/4	19	12	1.3/16-12	23	14	36
X0901-12-16	3/4	19	12	1.5/16-12	21	16	38
X0901-16-12	1	25.4	16	1.1/16-12	23	14	32
X0901-16-16	1	25.4	16	1.5/16-12	24	16	38

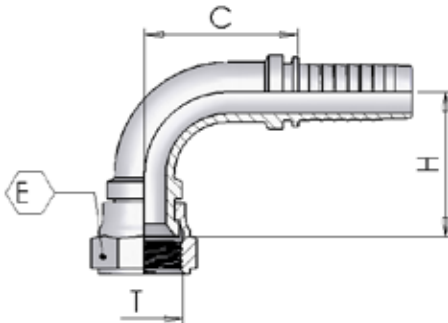
X0902



JIC Female 74° Cone - Slip On Nut

Part number	Hose I.D.		Dimensions				
			dash size	Thread T	Cut-Off C	A	Hex E
X0902-04-05	1/4	6.4	04	1/2-20	17	10	17
X0902-04-06	1/4	6.4	04	9/16-18	17	9	19
X0902-05-06	5/16	7.9	05	9/16-18	16	9	19
X0902-06-08	3/8	9.5	06	3/4-16	18	11	22
X0902-08-10	1/2	12.7	08	7/8-14	20	13	27
X0902-10-12	5/8	15.9	10	1.1/16-12	20	14	32

X0951

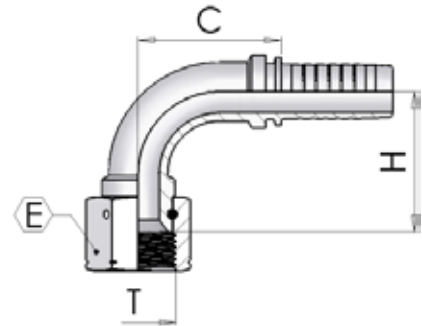


JIC 90° Swept Elbow 74° Cone - Crimped Nut

Part number	Hose I.D.		Dimensions				
			dash size	Thread T	Cut-Off C	Hex E	Drop H
X0951-03-04	3/16	4.8	03	7/16-20	22	15	22
X0951-04-04	1/4	6.4	04	7/16-20	25	15	24
X0951-05-05	5/16	7.9	05	1/2-20	29	17	30
X0951-06-05	3/8	9.5	06	1/2-20	33	17	30
X0951-06-06	3/8	9.5	06	9/16-18	31	19	32
X0951-08-08	1/2	12.7	08	3/4-16	41	24	41
X0951-10-10	5/8	15.9	10	7/8-14	43	27	44
X0951-12-16	3/4	19	12	1.5/16-12	56	38	57
X0951-16-16	1	25.4	16	1.5/16-12	70	38	65

X0950

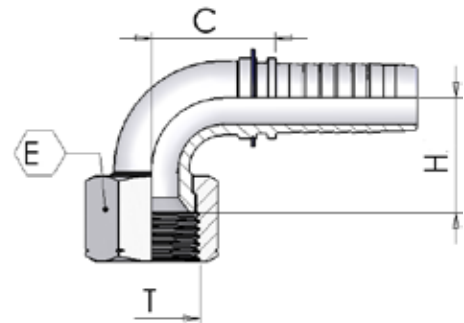
JIC 90° Swept Elbow 74° Cone - Thrust Wire



Part number	Hose I.D.		Dimensions				
			dash size	Thread T	Cut-Off C	Hex E	Drop H
X0950-20-20	1.1/4	31.8	20	1.5/8-12	87	50	83
X0950-24-24	1.1/2	38.1	24	1.7/8-12	102	55	97
X0950-32-32	2	50.8	32	2.1/2-12	121	70	134

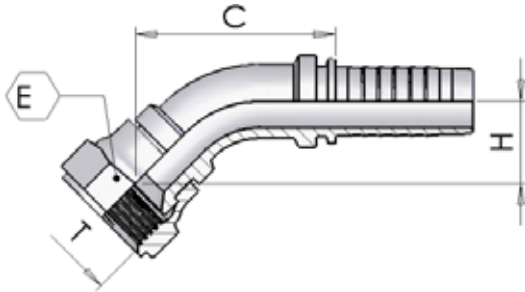
X0952

JIC 90° Swept Elbow 74° Cone - Slip on Nut



Part number	Hose I.D.		Dimensions				
			dash size	Thread T	Cut-Off C	Hex E	Drop H
X0952-04-05	1/4	6.4	04	1/2-20	27	17	21
X0952-04-06	1/4	6.4	04	9/16-18	26	19	21
X0952-05-06	5/16	7.9	05	9/16-18	25	19	32
X0952-06-08	3/8	9.5	06	3/4-16	35	22	26
X0952-06-10	3/8	9.5	06	7/8-14	33	27	36
X0952-08-10	1/2	12.7	08	7/8-14	40	27	32
X0952-08-12	1/2	12.7	08	1.1/16-12	39	32	43
X0952-10-12	5/8	15.9	10	1.1/16-12	47	32	37
X0952-12-12	3/4	19	12	1.1/16-12	58	32	45

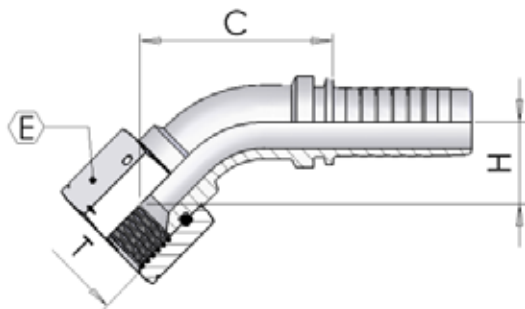
X1001



JIC 45° Swept Elbow 74° Cone - Crimped Nut

Part number	Hose I.D.		Dimensions				
			dash	Thread	Cut-Off	Hex	Drop
	in	mm	size	T	C	E	H
X1001-03-04	3/16	4.8	03	7/16-20	33	15	15
X1001-04-04	1/4	6.4	04	7/16-20	38	15	13
X1001-05-05	5/16	7.9	05	1/2-20	46	17	17
X1001-06-05	3/8	9.5	06	1/2-20	49	17	16
X1001-06-06	3/8	9.5	06	9/16-18	51	19	17
X1001-08-08	1/2	12.7	08	3/4-16	62	24	22
X1001-10-10	5/8	15.9	10	7/8-14	68	27	24
X1001-12-16	3/4	19	12	1.5/16-12	86	38	30
X1001-16-16	1	25.4	16	1.5/16-12	104	38	33

X1000

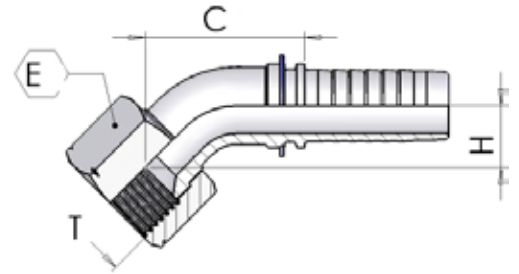


JIC 45° Swept Elbow 74° Cone - Thrust Wire

Part number	Hose I.D.		Dimensions				
			dash	Thread	Cut-Off	Hex	Drop
	in	mm	size	T	C	E	H
X1000-20-20	1.1/4	31,8	20	1.5/8-12	108	50	40
X1000-24-24	1.1/2	38,1	24	1.7/8-12	119	55	49
X1000-32-32	2	50,8	32	2.1/2-12	142	70	65

X1002

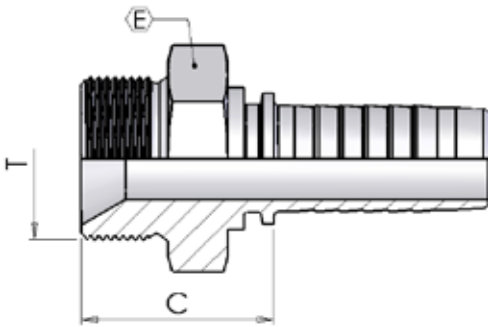
JIC 45° Swept Elbow 74° Cone - Slip On Nut



Part number	Hose I.D.		Dimensions				
			dash	Thread	Cut-Off	Hex	Drop
	in	mm	size	T	C	E	H
X1002-04-05	1/4	6.4	04	1/2-20	38	17	11
X1002-04-06	1/4	6.4	04	9/16-18	38	19	11
X1002-05-06	5/16	7.9	05	9/16-18	49	19	20
X1002-06-08	3/8	9.5	06	3/4-16	48	22	13
X1002-06-10	3/8	9.5	06	7/8-14	54	27	21
X1002-08-10	1/2	12.7	08	7/8-14	58	27	16
X1002-08-12	1/2	12.7	08	1.1/16-12	68	32	25
X1002-10-12	5/8	15.9	10	1.1/16-12	66	32	18
X1002-12-12	3/4	19	12	1.1/16-12	81	32	21

X0400

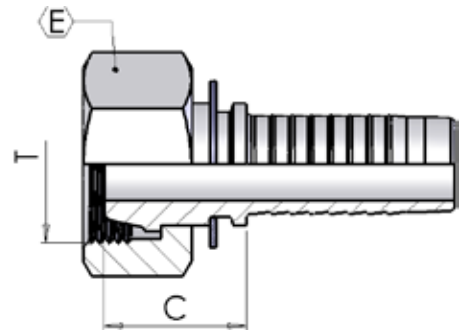
Metric Male 60° cone



Part number	Hose I.D.		Dimensions			
			dash	Thread	Cut-Off	Hex
	in	mm	size	T	C	E
X0400-03-10	3/16	4.8	03	M10-1	19	14
X0400-03-12	3/16	4.8	03	M12-1.5	25	17
X0400-04-10	1/4	6.4	04	M10-1	20	14
X0400-04-12	1/4	6.4	04	M12-1.5	26	17
X0400-04-14	1/4	6.4	04	M14-1.5	26	19
X0400-04-16	1/4	6.4	04	M16-1.5	26	22
X0400-05-12	5/16	7.9	05	M12-1.5	26	17
X0400-05-16	5/16	7.9	05	M16-1.5	26	22
X0400-05-18	5/16	7.9	05	M18-1.5	26	24
X0400-06-14	3/8	9.5	06	M14-1.5	26	19
X0400-06-16	3/8	9.5	06	M16-1.5	26	22
X0400-06-18	3/8	9.5	06	M18-1.5	27	24
X0400-06-22	3/8	9.5	06	M22-1.5	27	27
X0400-08-18	1/2	12.7	08	M18-1.5	28	24
X0400-08-22	1/2	12.7	08	M22-1.5	30	27
X0400-10-26	5/8	15.9	10	M26-1.5	32	32
X0400-12-26	3/4	19	12	M26-1.5	33	32
X0400-12-30	3/4	19	12	M30-1.5	36	36
X0400-16-38	1	25.4	16	M38-1.5	37	46
X0400-20-45	1.1/4	31.8	20	M45-1.5	39	55

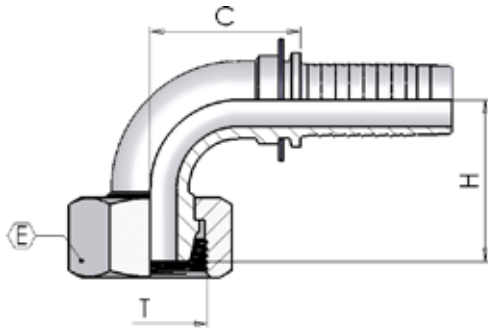
X0035

Metric Female 24° - Seat Light Multiseal



Part number	Hose I.D.		Dimensions				
			dash	Thread		Cut-Off	Hex
	in	mm	size	T	Erm	C	E
X0035-03-12	3/16	4.8	03	M12-1.5	6	19	14
X0035-03-16	3/16	4.8	03	M16-1.5	10	18	19
X0035-04-14	1/4	6.4	04	M14-1.5	8	19	17
X0035-04-16	1/4	6.4	04	M16-1.5	10	19	19
X0035-05-16	5/16	7.9	05	M16-1.5	10	19	19
X0035-05-18	5/16	7.9	05	M18-1.5	12	21	22
X0035-06-18	3/8	9.5	06	M18-1.5	12	23	22
X0035-06-22	3/8	9.5	06	M22-1.5	15	22	27
X0035-08-22	1/2	12.7	08	M22-1.5	15	22	27
X0035-08-26	1/2	12.7	08	M26-1.5	18	24	32
X0035-10-26	5/8	15.9	10	M26-1.5	18	24	32

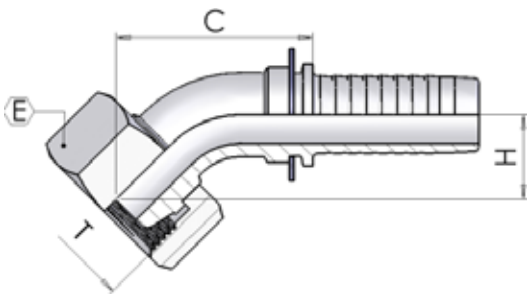
X0135



90° Metric Swept Elbow 24° - Seat Light Multiseal

Part number	Hose I.D.		Dimensions					
			dash	Thread	Erm	Cut-Off	Hex	Drop
			size	T		C	E	H
X0135-04-14	1/4	6.4	04	M14-1.5	8	25	17	25
X0135-04-16	1/4	6.4	04	M16-1.5	10	26	19	24
X0135-05-16	5/16	7.9	05	M16-1.5	10	32	19	29
X0135-05-18	5/16	7.9	05	M18-1.5	12	31	22	30
X0135-06-18	3/8	9.5	06	M18-1.5	12	32	22	33
X0135-06-22	3/8	9.5	06	M22-1.5	15	33	27	34
X0135-08-22	1/2	12.7	08	M22-1.5	15	41	27	38
X0135-10-26	5/8	15.9	10	M26-1.5	18	46	32	42

X0235

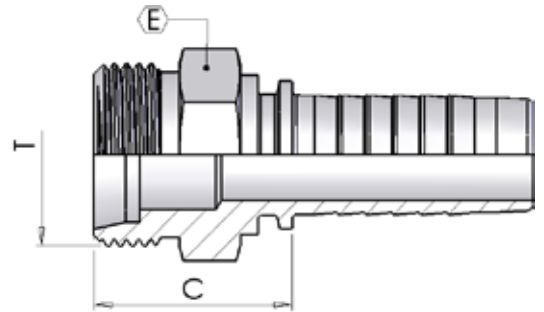


45° Metric Swept Elbow 24° - Seat Light Multiseal

Part number	Hose I.D.		Dimensions					
			dash	Thread	Erm	Cut-Off	Hex	Drop
			size	T		C	E	H
X0235-04-14	1/4	6.4	04	M14-1.5	8	40	17	14
X0235-04-16	1/4	6.4	04	M16-1.5	10	37	19	16
X0235-05-16	5/16	7.9	05	M16-1.5	10	47	19	14
X0235-05-18	5/16	7.9	05	M18-1.5	12	49	22	16
X0235-06-18	3/8	9.5	06	M18-1.5	12	50	22	16
X0235-08-22	1/2	12.7	08	M22-1.5	15	61	27	21

X0500

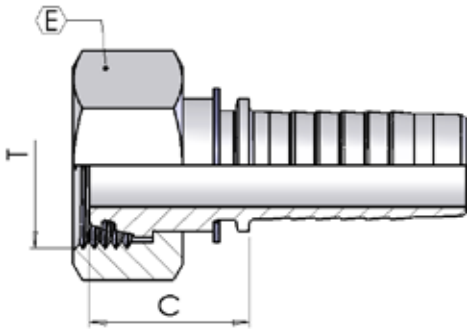
Metric Male 24° - Seat Light



Part number	Hose I.D.		Dimensions				
			dash	Thread		Cut-Off	Hex
	in	mm	size	T	Erm	C	E
X0500-03-12	3/16	4.8	03	M12-1.5	6	22	14
X0500-04-12	1/4	6.4	04	M12-1.5	6	23	14
X0500-04-14	1/4	6.4	04	M14-1.5	8	22	14
X0500-04-16	1/4	6.4	04	M16-1.5	10	23	17
X0500-04-18	1/4	6.4	04	M18-1.5	12	24	19
X0500-05-14	5/16	7.9	05	M14-1.5	8	22	14
X0500-05-16	5/16	7.9	05	M16-1.5	10	23	17
X0500-05-18	5/16	7.9	05	M18-1.5	12	24	19
X0500-05-22	5/16	7.9	05	M22-1.5	15	25	22
X0500-06-16	3/8	9.5	06	M16-1.5	10	23	17
X0500-06-18	3/8	9.5	06	M18-1.5	12	24	19
X0500-06-22	3/8	9.5	06	M22-1.5	15	25	22
X0500-08-18	1/2	12.7	08	M18-1.5	12	25	19
X0500-08-22	1/2	12.7	08	M22-1.5	15	26	22
X0500-08-26	1/2	12.7	08	M26-1.5	18	27	27
X0500-10-22	5/8	15.9	10	M22-1.5	15	26	22
X0500-10-26	5/8	15.9	10	M26-1.5	18	27	27
X0500-10-30	5/8	15.9	10	M30-2	22	32	30
X0500-12-26	3/4	19	12	M26-1.5	18	28	27
X0500-12-30	3/4	19	12	M30-2	22	33	30
X0500-16-36	1	25.4	16	M36-2	28	32	36
X0500-20-45	1.1/4	31.8	20	M45-2	35	36	46
X0500-24-52	1.1/2	38.1	24	M52-2	42	38	55

X0085

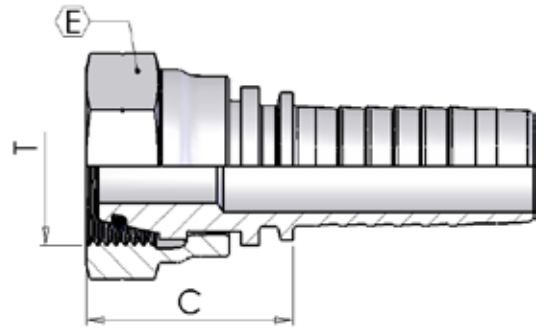
Metric Female 24° - Seat Light



Part number	Hose I.D.		Dimensions				
			dash	Thread		Cut-Off	Hex
	in	mm	size	T	Erm	C	E
X0085-03-12	3/16	4.8	03	M12-1.5	6	23	14
X0085-04-14	1/4	6.4	04	M14-1.5	8	24	17
X0085-04-16	1/4	6.4	04	M16-1.5	10	24	19
X0085-04-18	1/4	6.4	04	M18-1.5	12	25	22
X0085-05-16	5/16	7.9	05	M16-1.5	10	24	19
X0085-05-18	5/16	7.9	05	M18-1.5	12	25	22
X0085-06-18	3/8	9.5	06	M18-1.5	12	25	22
X0085-06-22	3/8	9.5	06	M22-1.5	15	29	27
X0085-08-22	1/2	12.7	08	M22-1.5	15	29	27
X0085-08-26	1/2	12.7	08	M26-1.5	18	29	32
X0085-10-26	5/8	15.9	10	M26-1.5	18	29	32
X0085-10-30	5/8	15.9	12	M30-2	22	29	36
X0085-12-30	3/4	19	12	M30-2	22	29	36
X0085-12-36	3/4	19	12	M36-2	28	28	41
X0085-16-36	1	25.4	16	M36-2	28	30	41
X0085-20-45	1.1/4	31.8	20	M45-2	35	40	50
X0085-24-52	1.1/2	38.1	24	M52-2	42	41	60

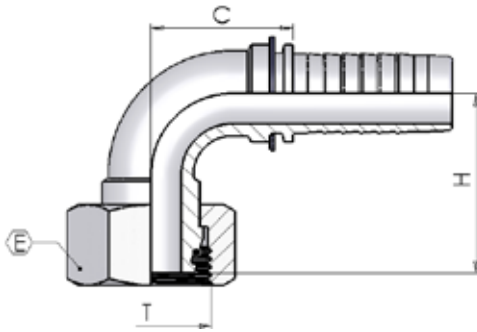
X0085

Metric Female 24° - Seat Light Crimped Nut



Part number	Hose I.D.		Dimensions				
			dash	Thread		Cut-Off	Hex
	in	mm	size	T	Erm	C	E
X0085-04-12	1/4	6.4	04	M12-1.5	6	25	14
X0085-05-14	5/16	7.9	05	M14-1.5	8	26	19
X0085-06-16	3/8	9.5	06	M16-1.5	10	25	19
X0085-08-18	1/2	12.7	08	M18-1.5	12	28	24
X0085-10-22	5/8	15.9	10	M22-1.5	15	32	27
X0085-12-26	3/4	19	12	M26-1.5	18	36	32

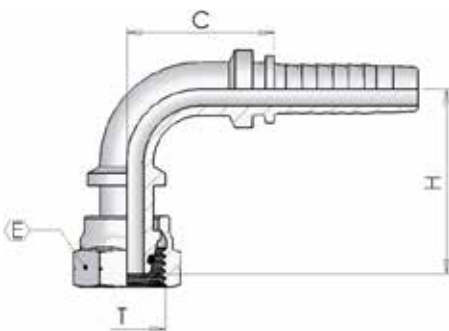
X0185



90° Metric Swept Elbow 24° - Seat Light

Part number	Hose I.D.		Dimensions					
			dash	Thread		Cut-Off	Hex	Drop
			size	T	Erm	C	E	H
X0185-03-12	3/16	4.8	03	M12-1.5	6	22	14	23
X0185-04-14	1/4	6.4	04	M14-1.5	8	26	17	26
X0185-04-16	1/4	6.4	04	M16-1.5	10	25	19	27
X0185-04-18	1/4	6.4	04	M18-1.5	12	27	22	30
X0185-05-16	5/16	7.9	05	M16-1.5	10	31	19	31
X0185-05-18	5/16	7.9	05	M18-1.5	12	31	22	32
X0185-06-18	3/8	9.5	06	M18-1.5	12	32	22	35
X0185-06-22	3/8	9.5	06	M22-1.5	15	32	27	35
X0185-08-22	1/2	12.7	08	M22-1.5	15	41	27	38
X0185-08-26	1/2	12.7	08	M26-1.5	18	41	32	39
X0185-10-26	5/8	15.9	10	M26-1.5	18	44	32	44
X0185-12-30	3/4	19	12	M30-2	22	58	36	52
X0185-16-36	1	25.4	16	M36-2	28	72	41	62

X0185

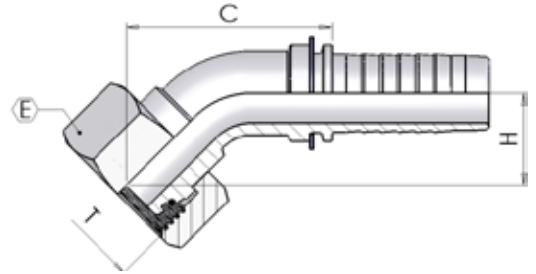


90° Metric Swept Elbow 24° - Seat Light Crimped Nut

Part number	Hose I.D.		Dimensions					
			dash	Thread		Cut-Off	Hex	Drop
			size	T	Erm	C	E	H
X0185-04-12	1/4	6.4	04	M12-1.5	6	26	14	34
X0185-05-14	5/16	7.9	05	M14-1.5	8	30	17	38
X0185-06-16	3/8	9.5	06	M16-1.5	10	32	19	39
X0185-10-22	5/8	15.9	08	M22-1.5	15	42	27	55

X0285

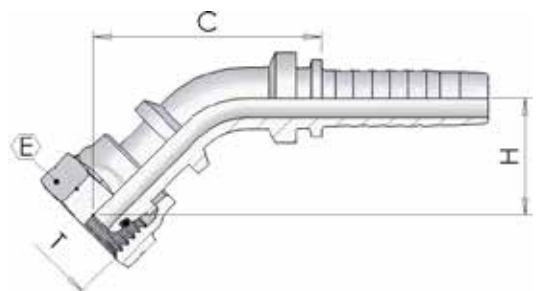
45° Metric Swept Elbow 24° - Seat Light



Part number	Hose I.D.		Dimensions					
			dash	Thread		Cut-Off	Hex	Drop
	in	mm	size	T	Erm	C	E	H
X0285-03-12	3/16	4.8	03	M12-1.5	6	36	14	14
X0285-04-14	1/4	6.4	04	M14-1.5	8	42	17	14
X0285-04-16	1/4	6.4	04	M16-1.5	10	42	19	15
X0285-04-18	1/4	6.4	04	M18-1.5	12	43	22	16
X0285-05-16	5/16	7.9	05	M16-1.5	10	48	19	17
X0285-05-18	5/16	7.9	05	M18-1.5	12	48	22	18
X0285-06-18	3/8	9.5	06	M18-1.5	12	52	22	19
X0285-06-22	3/8	9.5	06	M22-1.5	15	51	27	19
X0285-08-22	1/2	12.7	08	M22-1.5	15	63	27	21
X0285-10-26	5/8	15.9	10	M26-1.5	18	68	32	23
X0285-12-30	3/4	19	12	M30-2	22	85	36	27
X0285-16-36	1	25.4	16	M36-2	28	102	41	32

X0285

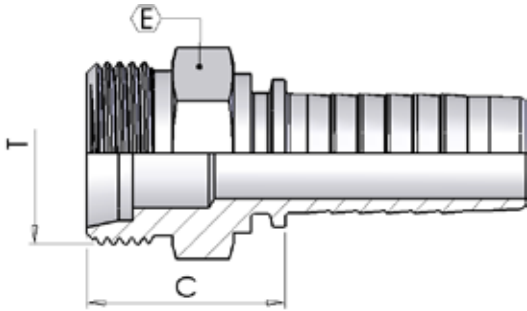
45° Metric Swept Elbow 24° - Seat Light Crimped Nut



Part number	Hose I.D.		Dimensions					
			dash	Thread		Cut-Off	Hex	Drop
	in	mm	size	T	Erm	C	E	H
X0285-04-12	1/4	6.4	04	M12-1.5	6	46	14	20
X0285-06-16	3/8	9.5	06	M16-1.5	10	55	19	22

X0450

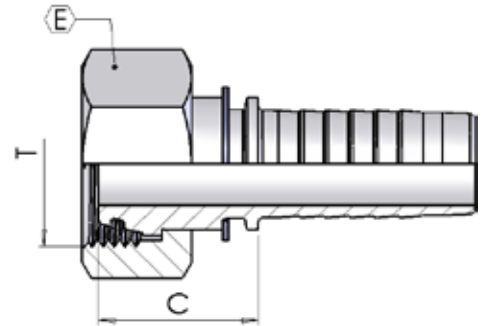
Metric Male 24° - Seat Heavy



Part number	Hose I.D.		Dimensions				
			dash	Thread		Cut-Off	Hex
	in	mm	size	T	Erm	C	E
X0450-03-16	3/16	4.8	03	M16-1.5	8	26	17
X0450-04-14	1/4	6.4	04	M14-1.5	6	25	14
X0450-04-16	1/4	6.4	04	M16-1.5	8	27	17
X0450-04-18	1/4	6.4	04	M18-1.5	10	27	19
X0450-05-18	5/16	7.9	05	M18-1.5	10	27	19
X0450-05-20	5/16	7.9	05	M20-1.5	12	29	22
X0450-06-18	3/8	9.5	06	M18-1.5	10	27	19
X0450-06-20	3/8	9.5	06	M20-1.5	12	29	22
X0450-06-22	3/8	9.5	06	M22-1.5	14	31	22
X0450-06-24	3/8	9.5	06	M24-1.5	16	31	24
X0450-08-24	1/2	12.7	08	M24-1.5	16	32	24
X0450-10-30	5/8	15.9	10	M30-2	20	34	30
X0450-12-30	3/4	19	12	M30-2	20	35	30
X0450-12-36	3/4	19	12	M36-2	25	38	36
X0450-16-36	1	25.4	16	M36-2	25	39	36
X0450-16-42	1	25.4	16	M42-2	30	42	46
X0450-20-42	1.1/4	31.8	20	M42-2	30	43	46
X0450-20-52	1.1/4	31.8	20	M52-2	38	45	55
X0450-24-52	1.1/2	38.1	24	M52-2	38	45	55

X0084

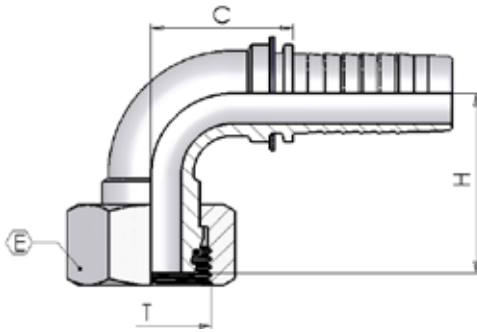
Metric Female 24° - Seat Heavy



Part number	Hose I.D.		Dimensions				
			dash	Thread		Cut-Off	Hex
	in	mm	size	T	Erm	C	E
X0084-03-16	3/16	4.8	03	M16-1.5	8	25	19
X0084-04-14	1/4	6.4	04	M14-1.5	6	23	17
X0084-04-16	1/4	6.4	04	M16-1.5	8	25	19
X0084-04-18	1/4	6.4	04	M18-1.5	10	24	22
X0084-05-18	5/16	7.9	05	M18-1.5	10	24	22
X0084-05-20	5/16	7.9	05	M20-1.5	12	26	24
X0084-06-16	3/8	9.5	06	M16-1.5	8	26	19
X0084-06-18	3/8	9.5	06	M18-1.5	10	25	22
X0084-06-20	3/8	9.5	06	M20-1.5	12	25	24
X0084-06-22	3/8	9.5	06	M22-1.5	14	29	27
X0084-08-22	1/2	12.7	08	M22-1.5	14	17	27
X0084-08-24	1/2	12.7	08	M24-1.5	16	30	30
X0084-08-30	1/2	12.7	08	M30-2	20	33	36
X0084-10-24	5/8	15.9	10	M24-1.5	16	31	30
X0084-10-30	5/8	15.9	10	M30-2	20	33	36
X0084-12-30	3/4	19	12	M30-2	20	34	36
X0084-12-36	3/4	19	12	M36-2	25	40	46
X0084-16-36	1	25.4	16	M36-2	25	41	46
X0084-16-42	1	25.4	16	M42-2	30	43	50
X0084-20-52	1.1/4	31.8	20	M52-2	38	44	60
X0084-24-52	1.1/2	38.1	24	M52-2	38	44	60

X0184

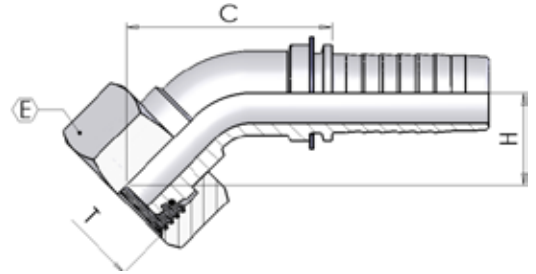
90° Metric Swept Elbow 24° - Seat Heavy



Part number	Hose I.D.		Dimensions					
			dash	Thread		Cut-Off	Hex	Drop
			size	T	Erm	C	E	H
X0184-03-16	3/16	4.8	03	M16-1.5	8	22	19	25
X0184-04-14	1/4	6.4	04	M14-1.5	6	27	17	26
X0184-04-16	1/4	6.4	04	M16-1.5	8	26	19	26
X0184-04-18	1/4	6.4	04	M18-1.5	10	27	22	31
X0184-04-20	1/4	6.4	04	M20-1.5	12	27	24	30
X0184-05-18	5/16	7.9	05	M18-1.5	10	33	22	33
X0184-05-20	5/16	7.9	05	M20-1.5	12	30	24	34
X0184-06-18	3/8	9.5	06	M18-1.5	10	34	22	35
X0184-06-20	3/8	9.5	06	M20-1.5	12	34	24	34
X0184-06-22	3/8	9.5	06	M22-1.5	14	33	27	33
X0184-08-24	1/2	12.7	08	M24-1.5	16	40	30	41
X0184-10-30	5/8	15.9	10	M30-2	20	46	36	50
X0184-12-30	3/4	19	12	M30-2	20	58	36	56
X0184-12-36	3/4	19	12	M36-2	25	56	46	59
X0184-16-36	1	25.4	16	M36-2	25	69	46	67
X0184-16-42	1	25.4	16	M42-2	30	69	50	67
X0184-20-52	1.1/4	31.8	20	M52-2	38	84	60	82
X0184-24-52	1.1/2	38.1	24	M52-2	38	99	60	94

X0284

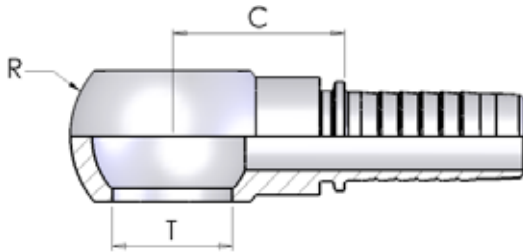
45° Metric Swept Elbow 24° - Seat Heavy



Part number	Hose I.D.		Dimensions					
			dash	Thread		Cut-Off	Hex	Drop
	in	mm	size	T	Erm	C	E	H
X0284-03-16	3/16	4.8	03	M16-1.5	8	36	19	16
X0284-04-14	1/4	6.4	04	M14-1.5	6	37	17	15
X0284-04-16	1/4	6.4	04	M16-1.5	8	42	19	15
X0284-04-18	1/4	6.4	04	M18-1.5	10	45	22	18
X0284-05-20	5/16	7.9	05	M20-1.5	12	49	24	19
X0284-06-18	3/8	9.5	06	M18-1.5	10	51	22	19
X0284-06-20	3/8	9.5	06	M20-1.5	12	53	24	18
X0284-06-22	3/8	9.5	06	M22-1.5	14	54	27	20
X0284-08-24	1/2	12.7	08	M24-1.5	16	63	30	21
X0284-10-30	5/8	15.9	10	M30-2	20	74	36	29
X0284-12-30	3/4	19	12	M30-2	20	87	36	30
X0284-12-36	3/4	19	12	M36-2	25	74	46	31
X0284-16-36	1	25.4	16	M36-2	25	105	46	34
X0284-16-42	1	25.4	16	M42-2	30	82	50	33
X0284-20-52	1.1/4	31.8	20	M52-2	38	105	60	39
X0284-24-52	1.1/2	38.1	24	M52-2	38	157	60	52

X1350

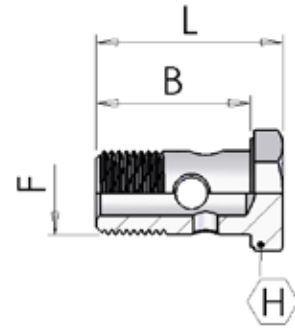
Metric Banjo



Part number	Hose I.D.		Dimensions			
			dash	Hole	Cut-Off	
	in	mm	size	mm	C	R
X1350-03-10	3/16	4.8	03	10.2	25	17
X1350-03-12	3/16	4.8	03	12.2	21	20
X1350-04-10	1/4	6.4	04	10.2	25	17
X1350-04-12	1/4	6.4	04	12.2	22	20
X1350-04-14	1/4	6.4	04	14.2	25	24
X1350-05-14	5/16	7.9	05	14.2	25	24
X1350-05-16	5/16	7.9	05	16.2	31	28
X1350-05-18	5/16	7.9	05	18.2	29	32
X1350-06-14	3/8	9.5	06	14.2	25	24
X1350-06-16	3/8	9.5	06	16.2	31	28
X1350-06-18	3/8	9.5	06	18.2	29	32
X1350-06-22	3/8	9.5	06	22.2	31	36
X1350-08-16	1/2	12.7	08	16.2	30	28
X1350-08-18	1/2	12.7	08	18.2	29	32
X1350-08-22	1/2	12.7	08	22.2	31	36
X1350-10-22	5/8	15.9	10	22.2	31	36
X1350-10-26	5/8	15.9	10	26.2	38	45
X1350-12-22	3/4	19	12	22.2	32	36
X1350-12-26	3/4	19	12	26.2	38	45
X1350-16-30	1	25.4	16	30.2	45	54

X1650

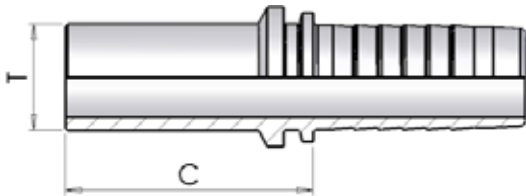
Metric perfored bolt



Part number	Dimensions			Drop
	B	F	L	
X1650-00-12	26	M12 x 1.5	31	17
X1650-00-14	29	M14 x 1.5	34	19
X1650-00-16	33	M16 x 1.5	41	22
X1650-00-18	37	M18 x 1.5	44	24
X1650-00-22	38	M22 x 1.5	46	27
X1650-00-26	47	M26 x 1.5	56	32
X1650-00-30	58	M30 x 1.5	68	36

X0550

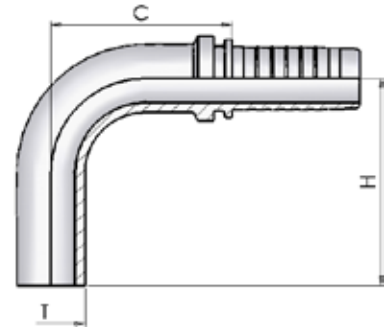
Metric Standpipe



Part number	Hose I.D.		Dimensions			
			dash	pipe		Cut-Off
	in	mm	size	T	Type	C
X0550-03-06	3/16	4.8	03	6	L/S	30
X0550-03-08	3/16	4.8	03	8	L/S	29
X0550-04-06	1/4	6.4	04	6	L/S	32
X0550-04-08	1/4	6.4	04	8	L/S	30
X0550-04-10	1/4	6.4	04	10	L/S	33
X0550-04-12	1/4	6.4	04	12	L/S	30
X0550-05-08	5/16	7.9	05	08	L/S	31
X0550-05-10	5/16	7.9	05	10	L/S	31
X0550-05-12	5/16	7.9	05	12	L/S	33
X0550-06-08	3/8	9.5	06	08	L/S	33
X0550-06-10	3/8	9.5	06	10	L/S	33
X0550-06-12	3/8	9.5	06	12	L/S	32
X0550-06-14	3/8	9.5	06	14	S	37
X0550-06-15	3/8	9.5	06	15	L	32
X0550-08-12	1/2	12.7	08	12	L/S	36
X0550-08-14	1/2	12.7	08	14	S	39
X0550-08-15	1/2	12.7	08	15	L	34
X0550-08-16	1/2	12.7	08	16	S	39
X0550-08-18	1/2	12.7	08	18	L	35
X0550-08-20	1/2	12.7	08	20	S	45
X0550-10-18	5/8	15.9	10	18	L	35
X0550-10-20	5/8	15.9	10	20	S	45
X0550-10-22	5/8	15.9	10	22	L	33
X0550-12-18	3/4	19	12	18	L	37
X0550-12-20	3/4	19	12	20	S	46
X0550-12-22	3/4	19	12	22	L	38
X0550-12-25	3/4	19	12	25	S	49
X0550-12-28	3/4	19	12	28	L	40
X0550-16-25	1	25.4	16	25	S	51
X0550-16-28	1	25.4	16	28	L	41
X0550-16-30	1	25.4	16	30	S	54
X0550-16-38	1	25.4	16	38	S	60
X0550-20-30	1.1/4	31.8	20	30	S	58
X0550-20-35	1.1/4	31.8	20	35	L	48
X0550-20-38	1.1/4	31.8	20	38	S	62
X0550-24-38	1.1/2	38.1	24	38	S	63
X0550-24-42	1.1/2	38.1	24	42	L	50

X0650

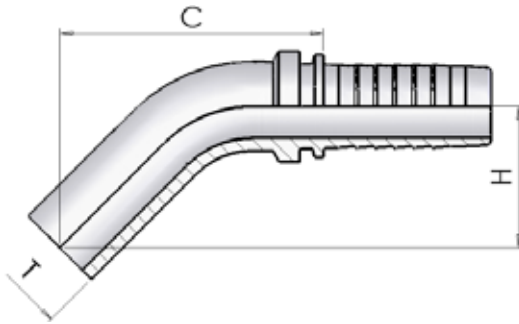
90° Metric Standpipe



Part number	Hose I.D.		Dimensions				
			dash	pipe		Cut-Off	Drop
	in	mm	size	T	Type	C	H
X0650-03-06	3/16	4.8	03	6	L/S	20	32
X0650-04-06	1/4	6.4	04	6	L/S	23	32
X0650-04-08	1/4	6.4	04	8	L/S	25	34
X0650-04-10	1/4	6.4	04	10	L/S	25	43
X0650-05-10	5/16	7.9	05	10	L/S	29	40
X0650-05-12	5/16	7.9	05	12	L/S	29	45
X0650-06-10	3/8	9.5	06	10	L/S	27	40
X0650-06-12	3/8	9.5	06	12	L/S	30	44
X0650-08-14	1/2	12.7	08	14	S	36	46
X0650-08-15	1/2	12.7	08	15	L	39	52
X0650-08-16	1/2	12.7	08	16	S	42	56
X0650-08-18	1/2	12.7	08	18	L	42	56
X0650-10-18	5/8	15.9	10	18	L	42	56
X0650-10-20	5/8	15.9	10	20	S	48	65
X0650-12-20	3/4	19	12	20	S	48	65
X0650-12-22	3/4	19	12	22	L	51	71
X0650-12-25	3/4	19	12	25	S	57	75
X0650-16-25	1	25.4	16	25	S	57	75
X0650-16-28	1	25.4	16	28	L	60	89
X0650-16-30	1	25.4	16	30	S	65	89
X0650-20-30	1.1/4	31.8	20	30	S	66	89
X0650-20-38	1.1/4	31.8	20	38	S	83	102
X0650-24-38	1.1/2	38.1	24	38	S	82	102

X0750

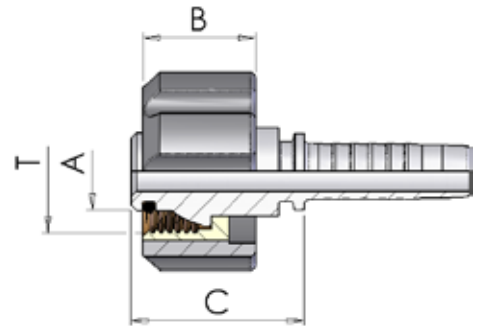
45° Metric Standpipe



Part number	Hose I.D.		Dimensions				
			dash size	pipe T	Type	Cut-Off C	Drop H
	in	mm					
X0750-03-06	3/16	4.8	03	6	L/S	38	25
X0750-04-06	1/4	6.4	04	6	L/S	41	24
X0750-04-08	1/4	6.4	04	8	L/S	43	25
X0750-04-10	1/4	6.4	04	10	L/S	47	30
X0750-05-10	5/16	7.9	05	10	L/S	49	30
X0750-05-12	5/16	7.9	05	12	L/S	53	32
X0750-06-10	3/8	9.5	06	10	L/S	50	33
X0750-06-12	3/8	9.5	06	12	L/S	52	33
X0750-08-14	1/2	12.7	08	14	S	50	27
X0750-08-15	1/2	12.7	08	15	L	55	29
X0750-08-16	1/2	12.7	08	16	S	54	27
X0750-08-18	1/2	12.7	08	18	L	56	29
X0750-10-18	5/8	15.9	10	18	L	56	29
X0750-10-20	5/8	15.9	10	20	S	56	34
X0750-12-20	3/4	19	12	20	S	63	34
X0750-12-22	3/4	19	12	22	L	65	35
X0750-12-25	3/4	19	12	25	S	76	41
X0750-16-25	1	25.4	16	25	S	76	41
X0750-16-28	1	25.4	16	28	L	84	49
X0750-16-30	1	25.4	16	30	S	86	44
X0750-20-30	1.1/4	31.8	20	30	S	88	44
X0750-20-38	1.1/4	31.8	20	38	S	101	50
X0750-24-38	1.1/2	38.1	24	38	S	100	50

XFK50

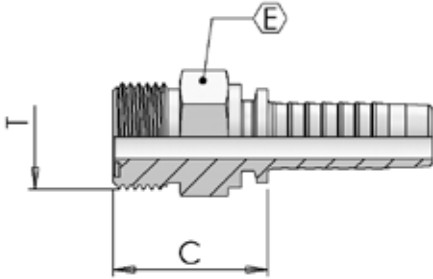
K' Female



Part number	Hose I.D.		Dimensions				
			dash size	Thread T	Cut-Off C	A	B
XFK50-04-22	1/4	6.4	04	M22-1.5	31	14	20
XFK50-05-22	5/16	7.9	05	M22-1.5	31	14	20
XFK50-06-22	3/8	9.5	06	M22-1.5	31	14	20
XFK50-04022	1/4	6.4	04	M22-1.5	31	14	27
XFK50-05022	5/16	7.9	05	M22-1.5	31	14	27
XFK50-06022	3/8	9.5	06	M22-1.5	31	14	27

XS350

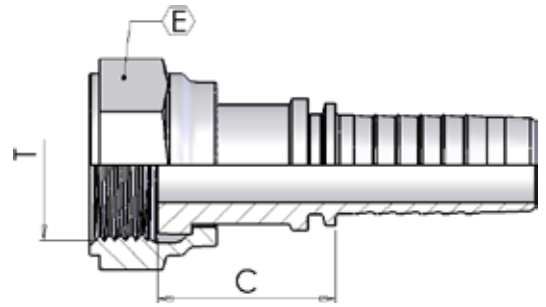
ORFS Male



Part number	Hose I.D.		Dimensions			
			dash	Thread	Cut-Off	Hex
	in	mm	size	T	C	E
XS350-04-06	1/4	6.4	04	9/16-18	23	17
XS350-04-09	1/4	6.4	04	11/16-16	21	19
XS350-05-09	5/16	7.9	05	11/16-16	26	19
XS350-06-09	3/8	9.5	06	11/16-16	26	19
XS350-06-11	3/8	9.5	6	13/16-16	29	22
XS350-08-11	1/2	12.7	08	13/16-16	29	22
XS350-08-13	1/2	12.7	08	1-14	34	27
XS350-08-14	1/2	12.7	08	1.3/16-12	35	32
XS350-10-13	5/8	15.9	10	1-14	33	27
XS350-10-14	5/8	15.9	10	1.3/16-12	35	32
XS350-12-14	3/4	19	12	1.3/16-12	36	32
XS350-12-15	3/4	19	12	1.7/16-12	36	38
XS350-16-15	1	25.4	16	1.7/16-12	37	38
XS350-16-21	1	25.4	16	1.11/16-12	38	46
XS350-20-21	1.1/4	31.8	20	1.11/16-12	39	46

XS050

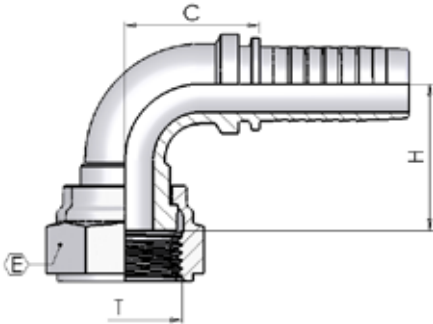
ORFS Female



Part number	Hose I.D.		Dimensions			
			dash	Thread	Cut-Off	Hex
	in	mm	size	T	C	E
XS050-04-06	1/4	6.4	04	9/16-18	25	19
XS050-04-09	1/4	6.4	04	11/16-16	29	22
XS050-05-09	5/16	7.9	05	11/16-16	29	22
XS050-06-09	3/8	9.5	06	11/16-16	29	22
XS050-06-11	3/8	9.5	06	13/16-16	30	24
XS050-08-11	1/2	12.7	08	13/16-16	32	24
XS050-08-13	1/2	12.7	08	1-14	35	30
XS050-08-14	1/2	12.7	08	1.3/16-12	37	36
XS050-10-13	5/8	15.9	10	1-14	35	30
XS050-10-14	5/8	15.9	10	1.3/16-12	34	36
XS050-12-13	3/4	19	12	1-14	37	30
XS050-12-14	3/4	19	12	1.3/16-12	35	36
XS050-12-15	3/4	19	12	1.7/16-12	41	41
XS050-16-15	1	25.4	16	1.7/16-12	39	41
XS050-20-21	1.1/4	31.8	20	1.11/16-12	40	50
XS050-24-32	1.1/2	38.1	24	2-12	41	60

XS150

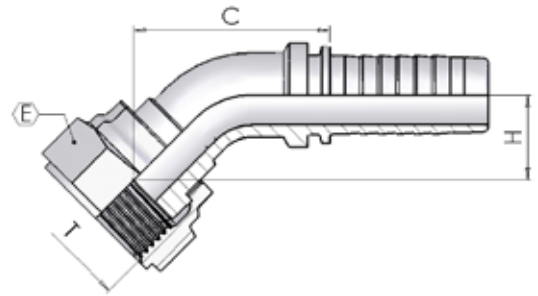
ORFS 90° Swept Elbow



Part number	Hose I.D.		Dimensions				
			dash size	Thread T	Cut-Off C	Hex E	Drop H
	in	mm					
XS150-04-06	1/4	6.4	04	9/16-18	25	19	26
XS150-04-09	1/4	6.4	04	11/16-16	25	22	23
XS150-05-09	5/16	7.9	05	11/16-16	29	22	32
XS150-06-09	3/8	9.5	06	11/16-16	33	22	33
XS150-06-11	3/8	9.5	06	13/16-16	33	24	32
XS150-08-11	1/2	12.7	08	13/16-16	39	24	36
XS150-08-13	1/2	12.7	08	1-14	39	30	40
XS150-08-14	1/2	12.7	08	1.3/16-12	42	36	39
XS150-10-13	5/8	15.9	10	1-14	47	30	39
XS150-12-14	3/4	19	12	1.3/16-12	57	36	49
XS150-12-15	3/4	19	12	1.7/16-12	56	41	51
XS150-16-15	1	25.4	16	1.7/16-12	67	41	62
XS150-20-21	1.1/4	31.8	20	1.11/16-12	86	50	72
XS150-24-32	1.1/2	38.1	24	2-12	103	60	82

XS250

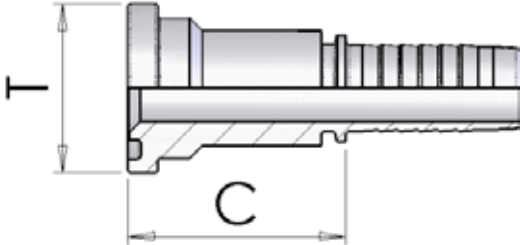
ORFS 45° Swept Elbow



Part number	Hose I.D.		Dimensions				
			dash size	Thread T	Cut-Off C	Hex E	Drop H
XS250-04-06	1/4	6.4	04	9/16-18	40	19	14
XS250-04-09	1/4	6.4	04	11/16-16	38	22	14
XS250-05-09	5/16	7.9	05	11/16-16	44	22	14
XS250-06-09	3/8	9.5	06	11/16-16	52	22	17
XS250-06-11	3/8	9.5	06	13/16-16	51	24	18
XS250-08-11	1/2	12.7	08	13/16-16	62	24	20
XS250-08-13	1/2	12.7	08	1-14	64	30	23
XS250-08-14	1/2	12.7	08	1.3/16-12	62	36	23
XS250-10-13	5/8	15.9	10	1-14	67	30	22
XS250-12-14	3/4	19	12	1.3/16-12	84	36	23
XS250-12-15	3/4	19	12	1.7/16-12	84	41	26
XS250-16-15	1	25.4	16	1.7/16-12	100	41	31
XS250-20-21	1.1/4	31.8	20	1.11/16-12	111	50	44
XS250-24-32	1.1/2	38.1	24	2-12	123	60	53

X1260

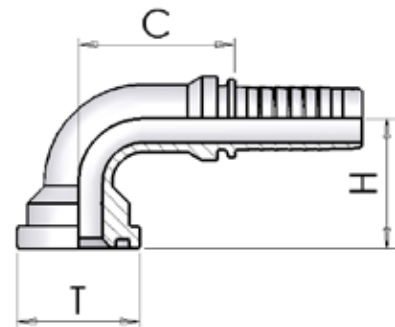
Straight SAE Flange 3000 PSI



Part number	Hose I.D.		Dimensions			
			dash	Flange		Cut-Off
	in	mm	size	T	mm	C
X1260-08-08	1/2	12.7	08	1/2	30,2	45
X1260-08-12	1/2	12.7	08	3/4	38.1	50
X1260-10-08	5/8	15.9	10	1/2	30,2	45
X1260-10-12	5/8	15.9	10	3/4	38.1	49
X1260-12-12	3/4	19	12	3/4	38.1	50
X1260-12-16	3/4	19	12	1	44.5	53
X1260-16-16	1	25.4	16	1	44.5	54
X1260-16-20	1	25.4	16	1.1/4	50.8	57
X1260-20-20	1.1/4	31.8	20	1.1/4	50.8	59
X1260-20-24	1.1/4	31.8	20	1.1/2	60.3	62
X1260-24-24	1.1/2	38.1	24	1.1/2	60.3	62
X1260-24-32	1.1/2	38.1	24	2	71.4	67
X1260-32-32	2	50.8	32	2	71.4	68
X1260-32-40	2	50.8	32	2.1/2	84.1	76

X1060

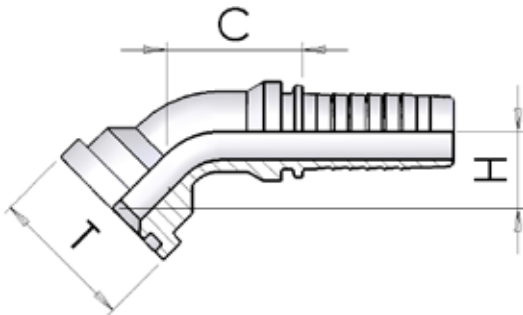
90° SAE Flange 3000 PSI



Part number	Hose I.D.		Dimensions				
			dash	Flange		Cut-Off	Drop
	in	mm	size	T	mm	C	H
X1060-08-08	1/2	12.7	08	1/2	30.2	39	39
X1060-08-12	1/2	12.7	08	3/4	38.1	39	44
X1060-10-08	5/8	15.9	10	1/2	30.2	45	42
X1060-10-12	5/8	15.9	10	3/4	38.1	45	47
X1060-12-12	3/4	19	12	3/4	38.1	56	53
X1060-12-16	3/4	19	12	1	44.5	56	58
X1060-16-16	1	25.4	16	1	44.5	70	65
X1060-16-20	1	25.4	16	1.1/4	50.8	70	70
X1060-16-24	1	25.4	16	1.1/2	60.3	72	71
X1060-20-16	1.1/4	31.8	20	1	44.5	81	77
X1060-20-20	1.1/4	31.8	20	1.1/4	50.8	86	77
X1060-20-24	1.1/4	31.8	20	1.1/2	60.3	85	81
X1060-24-24	1.1/2	38.1	24	1.1/2	60.3	98	89
X1060-24-32	1.1/2	38.1	24	2	71.4	93	97
X1060-32-32	2	50.8	32	2	71.4	123	121

X1160

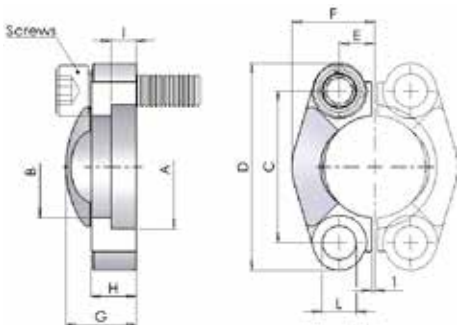
45° SAE Flange 3000 PSI



Part number	Hose I.D.		Dimensions				
			dash size	Flange		Cut-Off C	Drop H
	in	mm		T	mm		
X1160-08-08	1/2	12.7	08	1/2	30,2	62	22
X1160-08-12	1/2	12.7	08	3/4	38.1	67	25
X1160-12-12	3/4	19	12	3/4	38.1	69	27
X1160-12-16	3/4	19	12	1	44.5	88	30
X1160-16-16	1	25.4	16	1	44.5	82	33
X1160-16-20	1	25.4	16	1.1/4	50.8	108	37
X1160-20-20	1.1/4	31.8	20	1.1/4	50.8	102	38
X1160-20-24	1.1/4	31.8	20	1.1/2	60.3	129	39
X1160-24-24	1.1/2	38.1	24	1.1/2	60.3	114	44
X1160-24-32	1.1/2	38.1	24	2	71.4	148	47
X1160-32-32	2	50.8	32	2	71.4	130	58

XS003

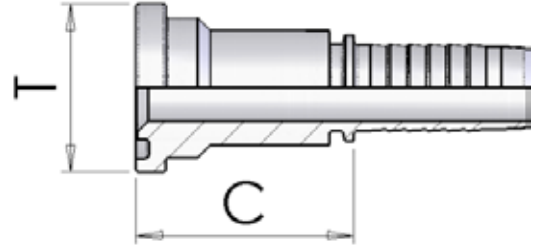
Cut Split Flanges - 3000 psi



Part number	Dimensions										Drop H	Sae SIZE
	A	B	C	D	E	F	G	I	L			
	XS003-08	30.96	24.3	38.1	54	8.7	22.8	19	6.2	8.8		
XS003-12	38.89	32.1	47.6	65	11.1	25.9	22	6.2	10.8	14	3/4"	
XS003-16	45.24	38.5	52.4	70	13.1	29.2	24	7.5	10.8	16	1"	
XS003-20	51.59	43.7	58.7	79	15.1	36.3	22	7.5	12	14	1"1/4	
XS003-24	61.09	50.8	69.9	94	17.9	41.1	25	7.5	13.5	16	1"1/2	
XS003-32	72.24	62.7	77.8	102	21.4	48.2	26	9	13.5	16	2"	

X1310

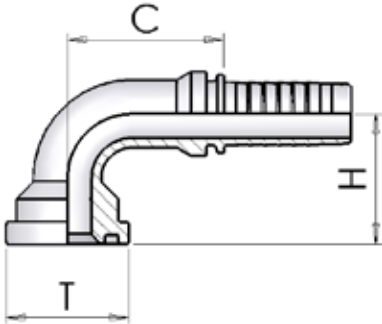
Straight SAE Flange 6000 PSI



Part number	Hose I.D.		Dimensions			
			dash size	Flange		Cut-Off C
	in	mm		T	mm	
X1310-08-08	1/2	12.7	08	1/2	31,8	46
X1310-08-12	1/2	12.7	08	3/4	41.3	53
X1310-10-08	5/8	15.9	10	1/2	31,8	46
X1310-10-12	5/8	15.9	10	3/4	41.3	53
X1310-10-16	5/8	15.9	10	1	47.6	59
X1310-12-12	3/4	19	12	3/4	41.3	54
X1310-12-16	3/4	19	12	1	47.6	60
X1310-16-12	1	25.4	16	3/4	41.3	55
X1310-16-16	1	25.4	16	1	47.6	61
X1310-16-20	1	25.4	16	1.1/4	54	68
X1310-20-20	1.1/4	31.8	20	1.1/4	54	70
X1310-20-24	1.1/4	31.8	20	1.1/2	63.5	76
X1310-24-24	1.1/2	38.1	24	1.1/2	63.5	76
X1310-24-32	1.1/2	38.1	24	2	79.4	85
X1310-32-32	2	50.8	32	2	79.4	85

X1110

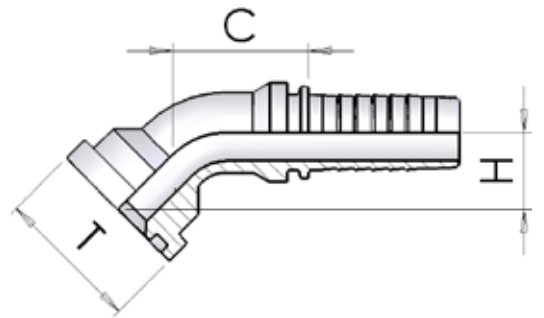
90° SAE Flange 6000 PSI



Part number	Hose I.D.		Dimensions				
			dash	Flange		Cut-Off	Drop
	in	mm	size	T	mm	C	H
X1110-08-08	1/2	12.7	08	1/2	31.8	39	39
X1110-08-12	1/2	12.7	08	3/4	41.3	39	48
X1110-10-08	5/8	15.9	10	1/2	31.8	45	42
X1110-10-12	5/8	15.9	10	3/4	41.3	44	52
X1110-10-16	5/8	15.9	10	1	47.6	45	56
X1110-12-08	3/4	19	12	1/2	32	56	54
X1110-12-12	3/4	19	12	3/4	41.3	56	55
X1110-12-16	3/4	19	12	1	47.6	56	63
X1110-16-12	1	25.4	16	3/4	41.3	68	64
X1110-16-16	1	25.4	16	1	47.6	70	69
X1110-16-20	1	25.4	16	1.1/4	54	71	74
X1110-20-20	1.1/4	31.8	20	1.1/4	54	97	83
X1110-20-24	1.1/4	31.8	20	1.1/2	63.5	97	90
X1110-24-24	1.1/2	38.1	24	1.1/2	63.5	102	99
X1110-24-32	1.1/2	38.1	24	2	79.4	103	108
X1110-32-32	2	50.8	32	2	79.4	125	136

X1210

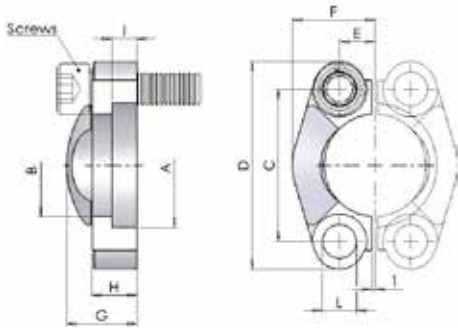
45° SAE Flange 6000 PSI



Part number	Hose I.D.		Dimensions				
			dash size	Flange		Cut-Off C	Drop H
				T	mm		
X1210-08-08	1/2	12.7	08	1/2	31.8	62	22
X1210-08-12	1/2	12.7	08	3/4	41.3	69	28
X1210-10-08	5/8	15.9	10	1/2	31.8	66	21
X1210-10-12	5/8	15.9	10	3/4	41.3	75	27
X1210-10-16	5/8	15.9	10	1	47.6	77	32
X1210-12-12	3/4	19	12	3/4	41.3	74	28
X1210-12-16	3/4	19	12	1	47.6	90	32
X1210-16-12	1	25.4	16	3/4	41.3	101	30
X1210-16-16	1	25.4	16	1	47.6	86	34
X1210-16-20	1	25.4	16	1.1/4	54	112	41
X1210-20-20	1.1/4	31.8	20	1.1/4	54	107	43
X1210-20-24	1.1/4	31.8	20	1.1/2	63.5	149	48
X1210-24-24	1.1/2	38.1	24	1.1/2	63.5	122	50
X1210-24-32	1.1/2	38.1	24	2	79.4	163	66
X1210-32-32	2	50.8	32	2	79.4	145	68

XS006

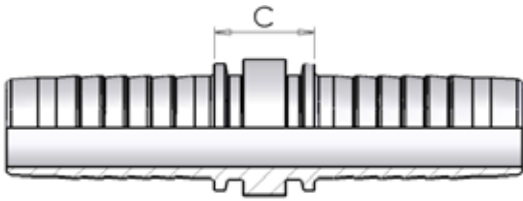
Cut Split Flanges - 6000 psi



Part number	Dimensions										Sae SIZE
	A	B	C	D	E	F	G	I	L	H	
XS006-08	32.54	24.6	40.5	56	9.1	23.6	22	7.2	8.8	16	1/2"
XS006-12	42.06	32.5	50.8	71	11.9	30	28	8.3	11	19	3/4"
XS006-16	48.41	38.9	57.2	81	13.9	34.8	33	9	13	24	1"
XS006-20	54.76	44.5	66.7	95	15.9	38.6	38	9.8	15	27	1 1/4"
XS006-24	64.29	51.6	79.4	113	18.3	47.5	43	12.1	17	30	1 1/2"
XS006-32	80.16	67.6	96.8	133	22.2	56.9	52	12.1	21	37	2"

XD050

Hose Junction



Part number	Hose I.D.		Dimensions	
			dash	Cut-Off
	in	mm	size	C
XD050-03	3/16	4.8	03	17
XD050-04	1/4	6.4	04	17
XD050-05	5/16	7.9	05	17
XD050-06	3/8	9.5	06	17
XD050-08	1/2	12.7	08	18
XD050-10	5/8	15.9	10	18
XD050-12	3/4	19	12	19
XD050-16	1	25.4	16	21
XD050-20	1.1/4	31.8	20	24
XD050-24	1.1/2	38.1	24	24
XD050-32	2	50.8	32	26

Index

X004N, X0013	64
X0370H, X0350H	65
X0050H, X0150H	66
X0250H, X0850H	67
X0900H, X0950H	68
X1000H, X0450H	69
X0084H, X0184H	70
X0284H, XS050H	71
XS05TH, XS150H	72
XS250H, XS350H	73
X1250H, X1050H	74
X1150H	75
X1300H	76
X1100H	77
X1200H	78



X004N



Swaged Ferrule (skive)

64

X0013



Swaged Ferrule (skive)

64



X0370H



NPTF Male 60° cone

65



X0350H



BSP Male Parallel 60° cone

65

X0050H



BSP Female 60° cone Thrust Wire

66

X0150H



BSP 90° Swept Elbow 60° cone Thrust Wire

66

X0250H



BSP 45° Swept Elbow 60° cone Thrust Wire

67



X0850H



JIC Male 74° cone

67



X0900H



JIC Female 74° cone Thrust Wire

68

X0950H



JIC 90° Swept Elbow 74° cone Thrust Wire

68

X1000H



JIC 45° Swept Elbow 74° cone Thrust Wire

69



X0450H



Metric Male 24° Seat Heavy

69

X0084H



Metric Female 24° Seat Heavy

70



X0184H



90° Metric Swept Elbow 24° Seat Heavy

70

X0284H



45° Metric Swept Elbow 24° Seat Heavy

71



XS050H



ORFS Female

71

XS05TH



ORFS Female Back Hexagon

72

XS150H



ORFS 90° Swept Elbow

72

XS250H



ORFS 45° Swept Elbow

73

XS350H



ORFS Male

73



X1250H



Straight SAE Flange 3000 PSI

74

X1050H



90° SAE Flange 3000 PSI

74

X1150H



45° SAE Flange 3000 PSI

75

X1300H



Straight SAE Flange 6000 PSI

76

X1100H



90° SAE Flange 6000 PSI

77

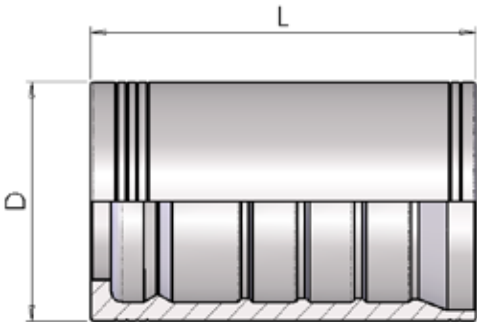
X1200H



45° SAE Flange 6000 PSI

78

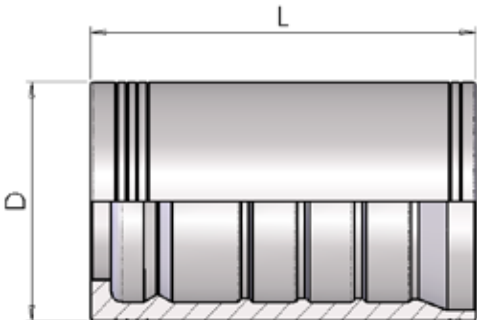
X004N



Swaged Ferrule (skive)

Part number	Hose I.D.		Dimensions		Skive Length
			D	L	
	in	mm			
X004N-12	3/4	19.0	38	60	52/15
X004N-16	1	25.4	46	74.5	64/17
X004N-20	1.1/4	31.8	55	88	74/22
X004N-24	1.1/2	38.1	62	94	81/22,5
X004N-32	2	50.8	78	99	85/30

X0013

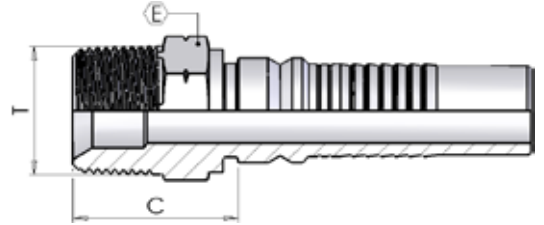


Swaged Ferrule (skive)

Part number	Hose I.D.		Dimensions		Skive Length
			D	L	
	in	mm			
X0013-20	1.1/4	31.8	60	88	74/22
X0013-24	1.1/2	38.1	67	94	81/22,5
X0013-32	2	50.8	84.5	99	85/30

X0370H

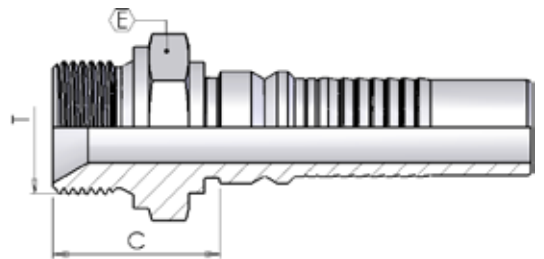
NPTF Male 60° Cone



Part number	Hose I.D.		Dimensions			
			dash	Thread	Cut-Off	Hex
	in	mm	size	T	C	E
X0370H12-12	3/4	19.0	12	3/4-14	35	27
X0370H16-16	1	25.4	16	1-11.1/2	41	36
X0370H20-20	1.1/4	31.8	20	1.1/4-11.1/2	44	46
X0370H24-24	1.1/2	38.1	24	1.1/2-11.1/2	47	50
X0370H32-32	2	50.8	32	2-11.1/2	54	65

X0350H

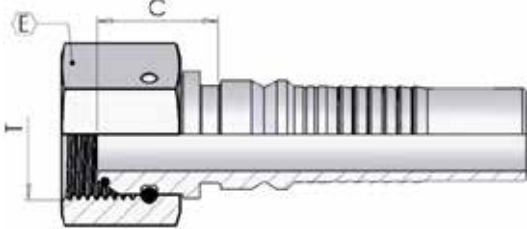
BSP Male Parallel 60° Cone



Part number	Hose I.D.		Dimensions			
			dash	Thread	Cut-Off	Hex
	in	mm	size	T	C	E
X0350H12-12	3/4	19.0	12	3/4-14	33	32
X0350H12-16	3/4	19.0	12	1-11	36	41
X0350H16-16	1	25.4	16	1-11	37	41
X0350H16-20	1	25.4	16	1.1/4-11	41	50
X0350H20-20	1.1/4	31.8	20	1.1/4-11	42	50
X0350H24-24	1.1/2	38.1	24	1.1/2-11	44	55
X0350H32-32	2	50.8	32	2-11	53	70

X0050H

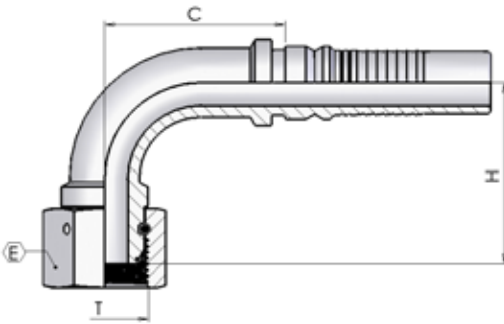
BSP Female 60° Cone - Thrust Wire



Part number	Hose I.D.		Dimensions			
			dash	Thread	Cut-Off	Hex
	in	mm	size	T	C	E
X0050H12-12	3/4	19.0	12	3/4-14	23	32
X0050H12-16	3/4	19.0	12	1-11	25	38
X0050H16-16	1	25.4	16	1-11	26	38
X0050H20-20	1.1/4	31.8	20	1.1/4-11	29	50
X0050H20-24	1.1/4	31.8	20	1.1/2-11	31	55
X0050H24-24	1.1/2	38.1	24	1.1/2-11	31	55
X0050H32-32	2	50.8	32	2-11	30	70

X0150H

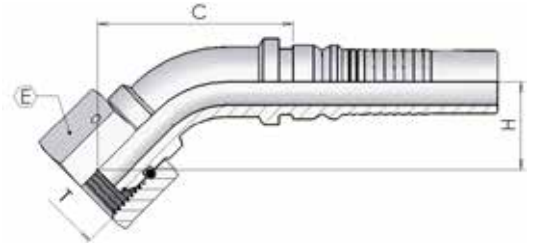
BSP 90° Swept Elbow 60° Cone - Thrust Wire



Part number	Hose I.D.		Dimensions				
			dash	Thread	Cut-Off	Hex	Drop
	in	mm	size	T	C	E	H
X0150H12-12	3/4	19.0	12	3/4-14	54	32	57
X0150H16-16	1	25.4	16	1-11	73	38	70
X0150H16-20	1	25.4	16	1.1/4-11	73	50	76
X0150H20-20	1.1/4	31.8	20	1.1/4-11	93	50	83
X0150H24-24	1.1/2	38.1	24	1.1/2-11	111	55	104
X0150H32-32	2	50.8	32	2-11	122	70	135

X0250H

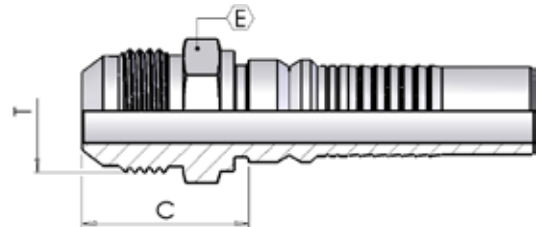
BSP 45° Swept Elbow 60° Cone - Thrust Wire



Part number	Hose I.D.		Dimensions				
			dash	Thread	Cut-Off	Hex	Drop
	in	mm	size	T	C	E	H
X0250H12-12	3/4	19.0	12	3/4-14	84	32	28
X0250H16-16	1	25.4	16	1-11	112	38	38
X0250H20-20	1.1/4	31.8	20	1.1/4-11	137	50	41
X0250H24-24	1.1/2	38.1	24	1.1/2-11	166	55	54
X0250H32-32	2	50.8	32	2-11	195	70	70

X0850H

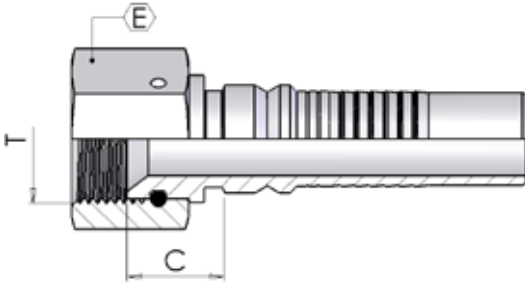
JIC Male 74° Cone



Part number	Hose I.D.		Dimensions			
			dash	Thread	Cut-Off	Hex
	in	mm	size	T	C	E
X0850H12-12	3/4	19.0	12	1.1/16-12	36	27
X0850H16-16	1	25.4	16	1.5/16-12	40	34
X0850H20-20	1.1/4	31.8	20	1.5/8-12	44	42
X0850H24-24	1.1/2	38.1	24	1.7/8-12	49	50
X0850H32-32	2	50.8	32	2.1/2-12	61	65

X0900H

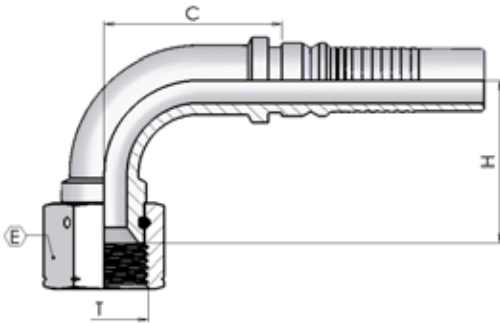
JIC Female 74° Cone - Thrust Wire



Part number	Hose I.D.		Dimensions			
			dash	Thread	Cut-Off	Hex
	in	mm	size	T	C	E
X0900H12-12	3/4	19.0	12	1.1/16-12	19	32
X0900H12-16	3/4	19.0	12	1.5/16-12	22	41
X0900H16-16	1	25.4	16	1.5/16-12	23	41
X0900H20-20	1.1/4	31.8	20	1.5/8-12	26	50
X0900H24-24	1.1/2	38.1	24	1.7/8-12	29	55
X0900H32-32	2	50.8	32	2.1/2-12	30	70

X0950H

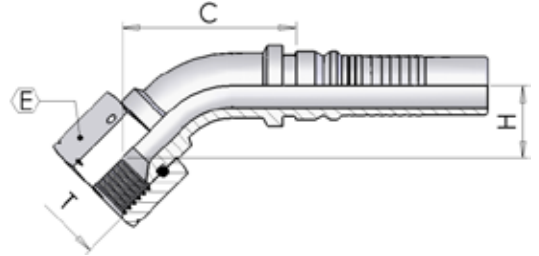
JIC 90° Swept Elbow 74° Cone - Thrust Wire



Part number	Hose I.D.		Dimensions				
			dash	Thread	Cut-Off	Hex	Drop
	in	mm	size	T	C	E	H
X0950H12-12	3/4	19.0	12	1.1/16-12	54	32	54
X0950H12-16	3/4	19.0	12	1.5/16-12	54	41	62
X0950H16-16	1	25.4	16	1.5/16-12	77	41	66
X0950H20-20	1.1/4	31.8	20	1.5/8-12	92	50	86
X0950H24-24	1.1/2	38.1	24	1.7/8-12	112	55	100
X0950H32-32	2	50.8	32	2.1/2-12	121	70	134

X1000H

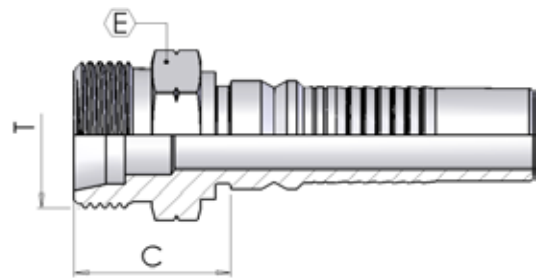
JIC 45° Swept Elbow 74° Cone - Thrust Wire



Part number	Hose I.D.		Dimensions				
			dash	Thread	Cut-Off	Hex	Drop
	in	mm	size	T	C	E	H
X1000H12-12	3/4	19.0	12	1.1/16-12	85	32	28
X1000H12-16	3/4	19.0	12	1.5/16-12	88	41	32
X1000H16-16	1	25.4	16	1.5/16-12	113	41	36
X1000H20-20	1.1/4	31.8	20	1.5/8-12	133	50	50
X1000H24-24	1.1/2	38.1	24	1.7/8-12	165	55	49
X1000H32-32	2	50.8	32	2.1/2-12	194	70	67

X0450H

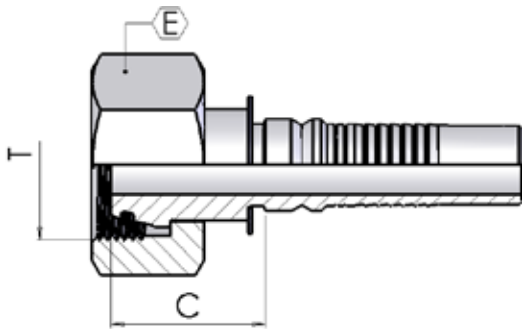
Metric Male 24° - Seat Heavy



Part number	Hose I.D.		Dimensions				
			dash	Thread		Cut-Off	Hex
	in	mm	size	T	Erm	C	E
X0450H12-36	3/4	19.0	12	M36-2	25	36	36
X0450H16-42	1	25.4	16	M42-2	30	39	46
X0450H20-52	1.1/4	31.8	20	M52-2	38	42	55
X0450H24-52	1.1/2	38.1	24	M52-2	38	43	55

X0084H

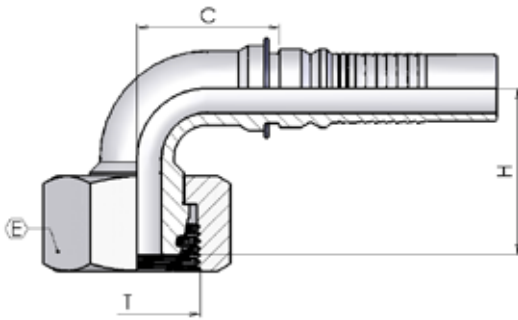
**Metric Female 24°
- Seat Heavy**



Part number	Hose I.D.		Dimensions				
			dash	Thread		Cut-Off	Hex
			size	T	Erm	C	E
X0084H12-36	3/4	19.0	12	M36-2	25	37	46
X0084H16-36	1	25.4	16	M36-2	25	38	46
X0084H16-42	1	25.4	16	M42-2	30	41	50
X0084H20-52	1.1/4	31.8	20	M52-2	38	41	60
X0084H24-52	1.1/2	38.1	24	M52-2	38	42	60

X0184H

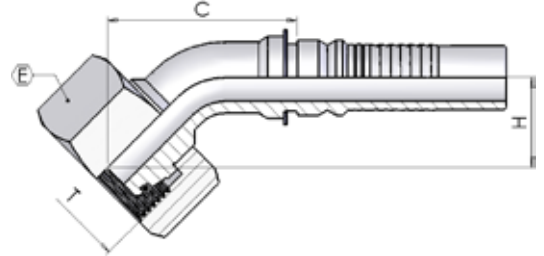
**90° Metric Swept Elbow 24°
- Seat Heavy**



Part number	Hose I.D.		Dimensions					
			dash	Thread		Cut-Off	Hex	Drop
			size	T	Erm	C	E	H
X0184H12-36	3/4	19.0	12	M36-2	25	55	46	58
X0184H16-36	1	25.4	16	M36-2	25	75	46	68
X0184H16-42	1	25.4	16	M42-2	30	74	50	69
X0184H20-52	1.1/4	31.8	20	M52-2	38	94	60	81

X0284H

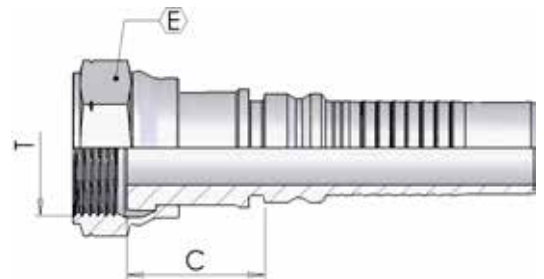
45° Metric Swept Elbow 24° - Seat Heavy



Part number	Hose I.D.		Dimensions					
			dash	Thread		Cut-Off	Hex	Drop
			size	T	Erm	C	E	H
X0284H12-36	3/4	19.0	12	M36-2	25	94	46	31
X0284H16-36	1	25.4	16	M36-2	25	110	46	34
X0284H16-42	1	25.4	16	M42-2	30	112	50	33
X0284H20-52	1.1/4	31.8	20	M52-2	38	93	60	81

XS050H

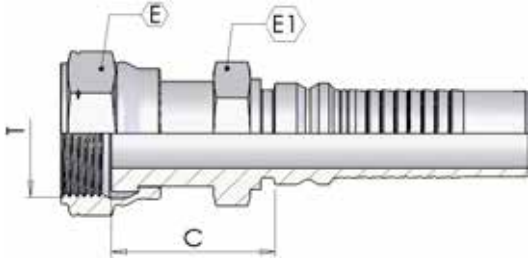
ORFS Female



Part number	Hose I.D.		Dimensions			
			dash	Thread	Cut-Off	Hex
			size	T	C	E
XS050H12-14	3/4	19.0	12	1.3/16-12	33	36
XS050H16-15	1	25.4	16	1.7/16-12	37	41
XS050H16-21	1	25.4	16	1.11/16-12	36	50
XS050H20-21	1.1/4	31.8	20	1.11/16-12	37	50
XS050H20-32	1.1/4	31.8	20	2-12	37	60
XS050H24-32	1.1/2	38.1	24	2-12	41	60

XS05TH

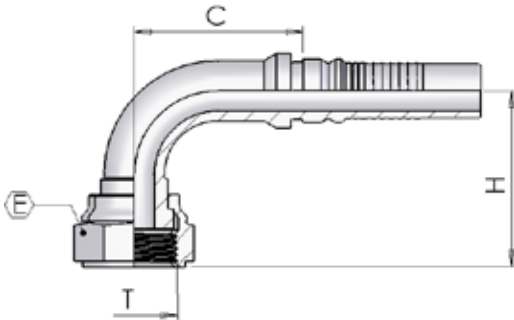
ORFS Female Back Hexagon



Part number	Hose I.D.		Dimensions				
			dash	Thread	Cut-Off	Hex	
	in	mm	size	T	C	E	E1
XS05TH12-14	3/4	19.0	12	1.3/16-12	39	36	30
XS05TH16-15	1	25.4	16	1.7/16-12	47	41	36
XS05TH20-21	1.1/4	31.8	20	1.11/16-12	50	50	46

XS150H

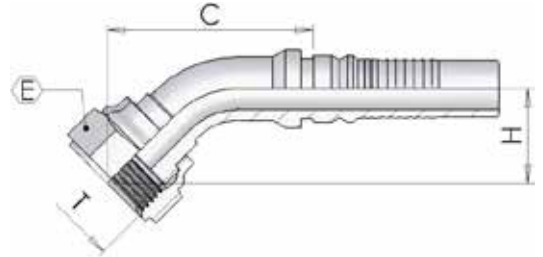
ORFS 90° Swept Elbow



Part number	Hose I.D.		Dimensions				
			dash	Thread	Cut-Off	Hex	Drop
	in	mm	size	T	C	E	H
XS150H12-14	3/4	19.0	12	1.3/16-12	54	36	49
XS150H16-15	1	25.4	16	1.7/16-12	69	41	66
XS150H20-21	1.1/4	31.8	20	1.11/16-12	87	50	80
XS150H24-32	1.1/2	38.1	24	2-12	111	60	102

XS250H

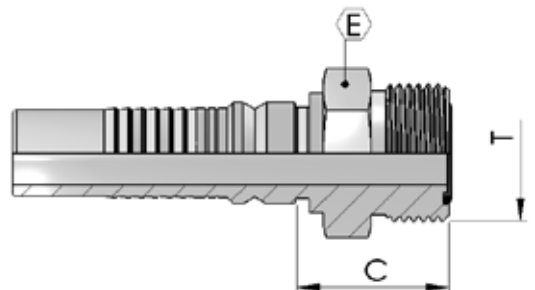
ORFS 45° Swept Elbow



Part number	Hose I.D.		Dimensions				
			dash	Thread	Cut-Off	Hex	Drop
	in	mm	size	T	C	E	H
XS250H12-14	3/4	19.0	12	1.3/16-12	84	36	23
XS250H16-15	1	25.4	16	1.7/16-12	107	41	33
XS250H20-21	1.1/4	31.8	20	1.11/16-12	130	50	37
XS250H24-32	1.1/2	38.1	24	2-12	165	60	50

XS350H

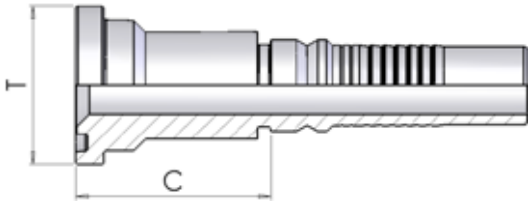
ORFS Male



Part number	Hose I.D.		Dimensions			
			dash	Thread	Cut-Off	Hex
	in	mm	size	T	C	E
XS350H12-14	3/4	19.0	12	1.3/16-12	34	32
XS350H16-15	1	25.4	16	1.7/16-12	35	38
XS350H20-21	1.1/4	31.8	20	1.11/16-12	36	46

X1250H

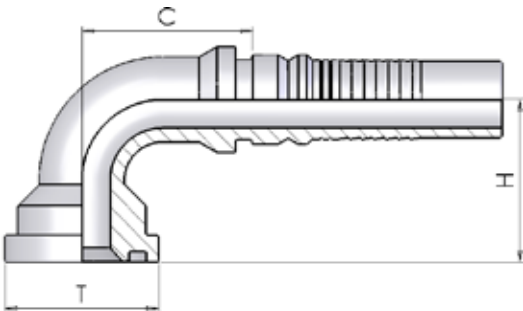
Straight SAE Flange 3000 PSI



Part number	Hose I.D.		Dimensions			
			dash	Flange		Cut-Off
	in	mm	size	T	mm	C
X1250H12-12	3/4	19.0	12	3/4	38.1	47
X1250H12-16	3/4	19.0	12	1	44.5	50
X1250H16-16	1	25.4	16	1	44.5	52
X1250H16-20	1	25.4	16	1.1/4	50.8	55
X1250H20-20	1.1/4	31.8	20	1.1/4	50.8	56
X1250H20-24	1.1/4	31.8	20	1.1/2	60.3	59
X1250H24-24	1.1/2	38.1	24	1.1/2	60.3	60
X1250H24-32	1.1/2	38.1	24	2	71.4	65
X1250H32-32	2	50.8	32	2	71.4	67

X1050H

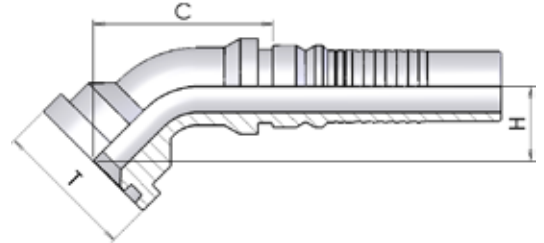
90° SAE Flange 3000 PSI



Part number	Hose I.D.		Dimensions				
			dash	Flange		Cut-Off	Drop
	in	mm	size	T	mm	C	H
X1050H12-12	3/4	19.0	12	3/4	38.1	52	52
X1050H12-16	3/4	19.0	12	1	44.5	55	56
X1050H16-16	1	25.4	16	1	44.5	73	65
X1050H16-20	1	25.4	16	1.1/4	50.8	69	71
X1050H20-20	1.1/4	31.8	20	1.1/4	50.8	93	78
X1050H20-24	1.1/4	31.8	20	1.1/2	60.3	97	80
X1050H24-24	1.1/2	38.1	24	1.1/2	60.3	100	95
X1050H24-32	1.1/2	38.1	24	2	71.4	134	101
X1050H32-32	2	50.8	32	2	71.4	122	121

X1150H

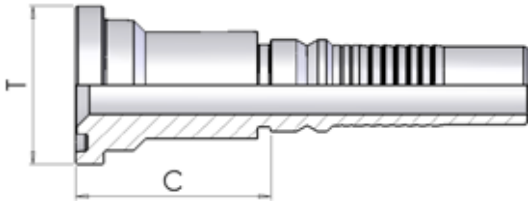
45° SAE Flange 3000 PSI



Part number	Hose I.D.		Dimensions				
			dash	Flange		Cut-Off	Drop
	in	mm	size	T	mm	C	H
X1150H12-12	3/4	19.0	12	3/4	38.1	81	25
X1150H12-16	3/4	19.0	12	1	44.5	86	28
X1150H16-16	1	25.4	16	1	44.5	107	35
X1150H16-20	1	25.4	16	1.1/4	50.8	113	37
X1150H20-20	1.1/4	31.8	20	1.1/4	50.8	136	37
X1150H20-24	1.1/4	31.8	20	1.1/2	60.3	136	40
X1150H24-24	1.1/2	38.1	24	1.1/2	60.3	159	44
X1150H24-32	1.1/2	38.1	24	2	71.4	159	47
X1150H32-32	2	50.8	32	2	71.4	182	56

X1300H

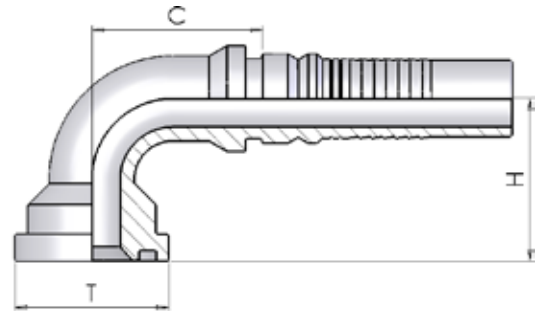
Straight SAE Flange 6000 PSI



Part number	Hose I.D.		Dimensions			
			dash	Flange		Cut-Off
	in	mm	size	T	mm	C
X1300H12-12	3/4	19.0	12	3/4	41.3	51
X1300H12-16	3/4	19.0	12	1	47.6	57
X1300H16-12	1	25.4	16	3/4	41.3	52
X1300H16-16	1	25.4	16	1	47.6	59
X1300H16-20	1	25.4	16	1.1/4	54	66
X1300H20-16	1.1/4	31.8	20	1	47.6	60
X1300H20-20	1.1/4	31.8	20	1.1/4	54	67
X1300H20-24	1.1/4	31.8	20	1.1/2	63.5	73
X1300H24-20	1.1/2	38.1	24	1.1/4	54	75
X1300H24-24	1.1/2	38.1	24	1.1/2	63.5	74
X1300H24-32	1.1/2	38.1	24	2	79.4	82
X1300H32-32	2	50.8	32	2	79.4	84

X1100H

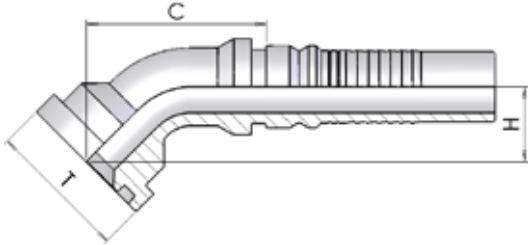
90° SAE Flange 6000 PSI



Part number	Hose I.D.		Dimensions				
			dash	Flange		Cut-Off	Drop
	in	mm	size	T	mm	C	H
X1100H12-12	3/4	19.0	12	3/4	41.3	53	55
X1100H12-16	3/4	19.0	12	1	47.6	52	63
X1100H16-12	1	25.4	16	3/4	41.3	73	66
X1100H16-16	1	25.4	16	1	47.6	74	72
X1100H16-20	1	25.4	16	1.1/4	54	73	79.5
X1100H20-16	1.1/4	31.8	20	1	47.6	93	80
X1100H20-20	1.1/4	31.8	20	1.1/4	54	93	84,5
X1100H20-24	1.1/4	31.8	20	1.1/2	63.5	98	90
X1100H24-24	1.1/2	38.1	24	1.1/2	63.5	114	101
X1100H24-32	1.1/2	38.1	24	2	79.4	115	115
X1100H32-32	2	50.8	32	2	79.4	124	138

X1200H

45° SAE Flange 6000 PSI



Part number	Hose I.D.		Dimensions				
			dash	Flange		Cut-Off	Drop
	in	mm	size	T	mm	C	H
X1200H12-12	3/4	19.0	12	3/4	41.3	85	28
X1200H12-16	3/4	19.0	12	1	47.6	88	34
X1200H16-12	1	25.4	16	3/4	41.3	107	35
X1200H16-16	1	25.4	16	1	47.6	112	34
X1200H16-20	1	25.4	16	1.1/4	54	117	40
X1200H20-16	1.1/4	31.8	20	1	47.6	117	42
X1200H20-20	1.1/4	31.8	20	1.1/4	54	139	43
X1200H20-24	1.1/4	31.8	20	1.1/2	63.5	144	48
X1200H24-24	1.1/2	38.1	24	1.1/2	63.5	167	50
X1200H24-32	1.1/2	38.1	24	2	79.4	166	64
X1200H32-32	2	50.8	32	2	79.4	200	72

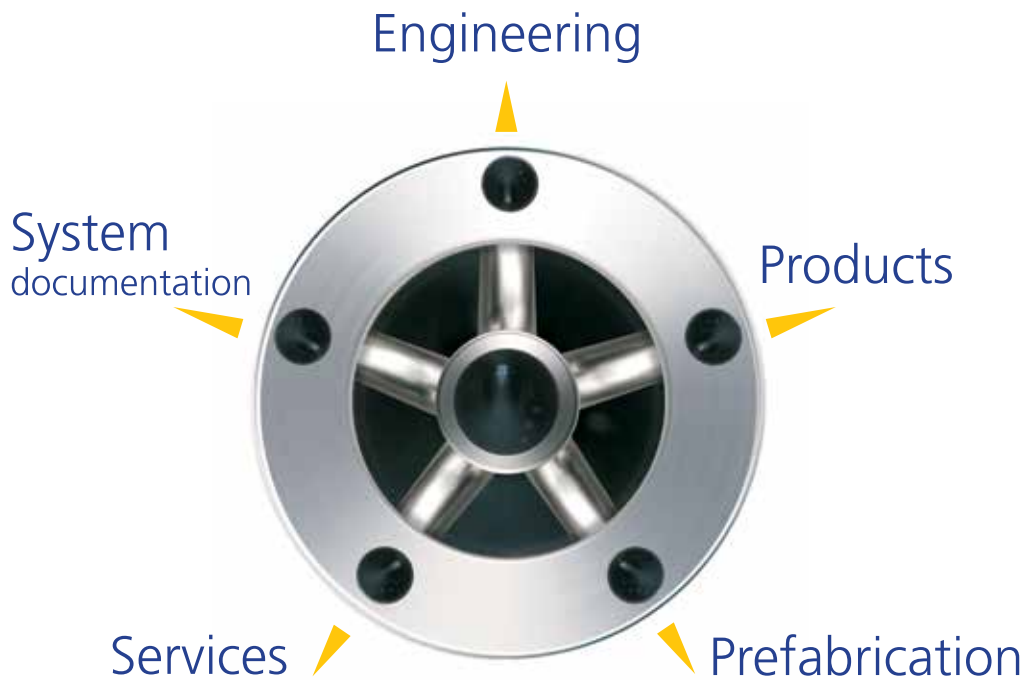






GS-Hydro is the original provider of non-welded piping solutions with numerous benefits for a wide variety of demanding applications. We create value together with our customers by providing innovative fluid transfer solutions which enable safe operation, reduced environmental impact and lower total cost of ownership. We deliver our piping and hose solutions globally in more than twenty-five countries through own companies and partners.

GS-Hydro system offering



sales@gshydro.com
www.gshydro.com

