

General Information

GS-Hydro's ball valves and non-return valves are designed and manufactured according to the highest standards.

Those products are used in many fields of application all over the world, e.g.

- Offshore industry
- Marine industry
- Land-based industry (test startions, steel works etc.)

Up-to-date technology guarantees quality and precision without compromises.

Main index

Ball valves – high pressure

BKH with threads	4
BKH with ISO 8434-1	5
BKH with threads, stainless steel.....	6
BKH with ISO 8434-1, stainless steel	7
MKH	8
MKH, stainless steel.....	9
SAE- and ISO connection valves	10
GS-flange connection valves.....	11
SAE-flange flat face valves	12
SAE split flange connection valves.....	13
BK3 with threads.....	14
BK3 with ISO 8434-1.....	15
BK3 with threads, stainless steel	16
BK3 with ISO 8434-1, stainless steel	17
3KH.....	18
4KH.....	19
800 bar, high temperature	20
DSB	21

Ball valves – low pressure

52, GS1	22
GS2, GS3.....	23

Needle valves

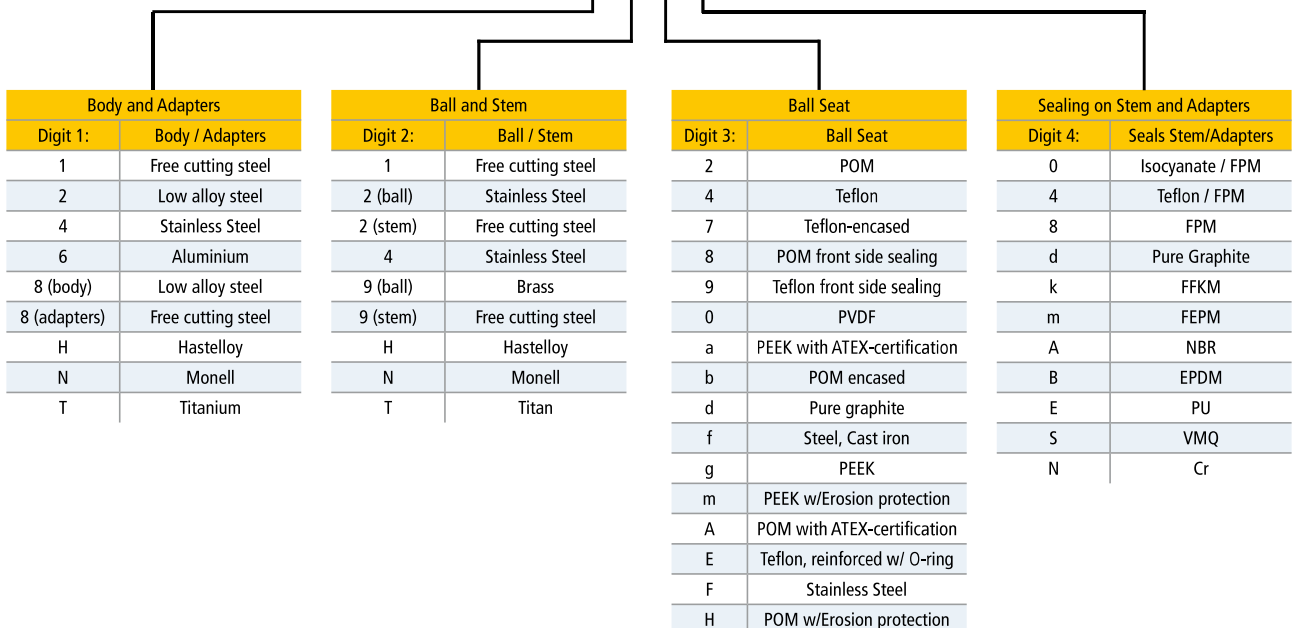
NDV	24
NDRV	25

Non return valves

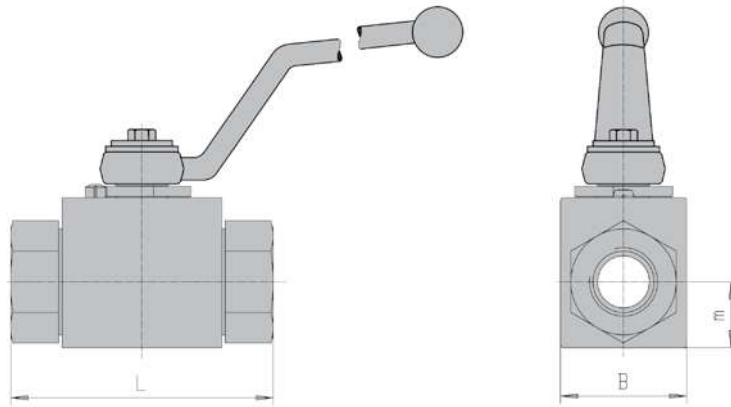
RHDI, RV.....	26
With GS-flange connection	27
RHDK.....	28
RHZK	29
RHVK	30

Material code breakdown for high pressure ball valves (pages 4 - 21)

1 1 2 A



Ball valves – high pressure



BKH with BSP thread

DN	Carbon steel		Data						Material				Flow
	Part No	ID Code	W.P.	G	L	B	m	Weight	Body	Ball	Seat	Seals	
4	BKH 1/8 R	260300800	500	1/8" BSP	69	26	13,5	0,41	1	9	2	A	FULL BORE
6	BKH 1/4 R	2603001000	500	1/4" BSP	69	26	13,5	0,4	1	9	2	A	FULL BORE
10	BKH 3/8 R	2603001200	500	3/8" BSP	72	32	17,5	0,54	1	9	2	A	FULL BORE
13	BKH 1/2 R	2603001400	500	1/2" BSP	83	35	19	0,65	1	9	2	A	FULL BORE
20	BKH 3/4 R	2603001600	420	3/4" BSP	95	49	24,5	1,5	1	9	2	A	FULL BORE
25	BKH 1 R	2603001800	350*	1" BSP	113	58	29,5	2,2	1	9	2	A	FULL BORE
25	BKHHP 1 R	2603002000	420	1" BSP	113	70	34,5	3,1	1	9	2	A	FULL BORE
25	BKH 1 1/4 R	2603003000	315	1.1/4" BSP	120	58	29,5	2,3	1	9	2	A	RED. BORE
25	BKH 1 1/2 R	2603004000	315	1.1/2" BSP	130	58	29,5	2,6	1	9	2	A	RED. BORE

BKH with NPT thread

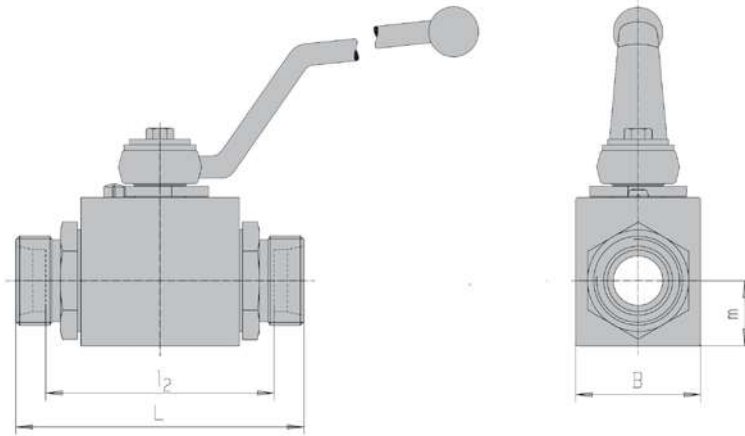
DN	Carbon steel		Data						Material				Flow
	Part No	ID Code	W.P.	G	L	B	m	Weight	Body	Ball	Seat	Seals	
4	BKH 1/8 NPT	2603008000	500	1/8" NPT	69	26	13,5	0,3	1	9	2	A	FULL BORE
6	BKH 1/4 NPT	2603008100	500	1/4" NPT	69	26	13,5	0,4	1	9	2	A	FULL BORE
10	BKH 3/8 NPT	2603008200	500	3/8" NPT	72	32	17,5	0,55	1	9	2	A	FULL BORE
13	BKH 1/2 NPT	2603008300	500	1/2" NPT	83	35	19	0,75	1	9	2	A	FULL BORE
20	BKH 3/4 NPT	2603008400	420	3/4" NPT	95	49	24,5	1,63	1	9	2	A	FULL BORE
25	BKH 1 NPT	2603008500	350*	1" NPT	113	58	29,5	2,3	1	9	2	A	FULL BORE
25	BKHHP 1 NPT	2603008600	420	1" NPT	113	70	34,5	3,16	1	9	2	A	FULL BORE
25	BKH 1 1/4 NPT	2603008700	315	1.1/4" NPT	120	58	29,5	2,51	1	9	2	A	RED. BORE
25	BKH 1 1/2 NPT	2603008800	315	1.1/2" NPT	130	58	29,5	2,7	1	9	2	A	RED. BORE

BKH with UNF thread

DN	Carbon steel		Data						Material				Flow
	Part No	ID Code	W.P.	G	L	B	m	Weight	Body	Ball	Seat	Seals	
6	BKH 7/16 UNF	2603007000	500	7/16" UNF	69	26	13,5	0,4	1	9	2	A	FULL BORE
10	BKH 9/16 UNF	2603007100	500	9/16" UNF	72	32	17,5	0,5	1	9	2	A	FULL BORE
13	BKH 3/4 UNF	2603007200	500	3/4" UNF	83	35	19	0,7	1	9	2	A	FULL BORE
20	BKH 1.1/16 UN	2603007300	420	1.1/16" UN	95	49	24,5	1,55	1	9	2	A	FULL BORE
25	BKH 1.5/16 UN	2603007400	350*	1.5/16" UN	113	58	29,5	2,2	1	9	2	A	FULL BORE
25	BKHHP 1.5/16 UN	2603007500	420	1.5/16" UN	121	70	34,5	3,08	1	9	2	A	FULL BORE

*) Safety factor 2.2
Contact GS-Hydro for other material combinations, see also page 3.

Ball valves – high pressure



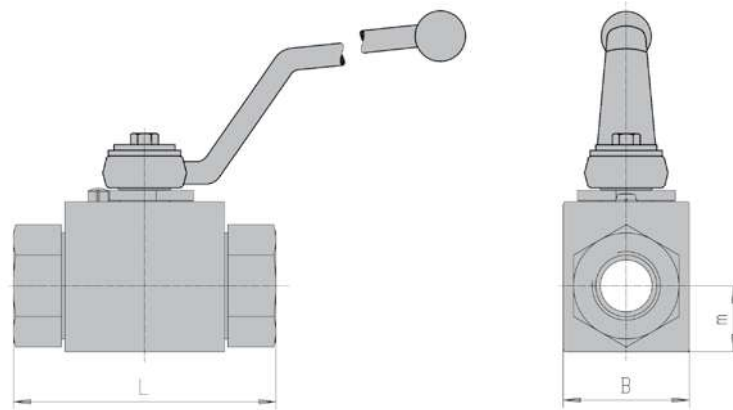
BKH with ISO 8434-1 (DIN 2353)

	DN	Carbon steel		Data							Material				Flow
		Part No	ID Code	W.P.**	G	L	l2	B	m	Weight	Body	Ball	Seat	Seals	
Light Series	4	BKHK 06 L	2603400000	500	DIN 06L	67	53	26	13,5	0,36	1	9	2	A	FULL BORE
	6	BKHK 08 L	2603400500	500	DIN 08L	67	53	26	13,5	0,37	1	9	2	A	FULL BORE
	8	BKHK 10 L	2603401500	500	DIN 10L	74	60	26	13,5	0,38	1	9	2	A	FULL BORE
	10	BKHK 12 L	2603402500	400	DIN 12L	74	60	32	17,5	0,5	1	9	2	A	FULL BORE
	13	BKHK 15 L	2603403500	400	DIN 15L	82	68	35	19	0,61	1	9	2	A	FULL BORE
	13	BKHK 18 L	2603404500	250	DIN 18L	82	67	35	19	0,6	1	9	2	A	FULL BORE
	20	BKHK 22 L	2603405500	250	DIN 22L	101	86	49	24,5	1,49	1	9	2	A	FULL BORE
	25	BKHK 28 L	2603406500	250	DIN 28L	108	93	58	29,5	2	1	9	2	A	FULL BORE
	25	BKHK 35 L	2603407500	250	DIN 35L	112	91	58	29,5	2,12	1	9	2	A	RED. BORE
	25	BKHK 42 L	2603407550	250	DIN 42L	112	90	58	29,5	2,27	1	9	2	A	RED. BORE
Heavy Series	4	BKHK 06 S	2603400900	500	DIN 06S	73	59	26	13,5	0,38	1	9	2	A	FULL BORE
	4	BKHK 08 S	2603401000	500	DIN 08S	73	59	26	13,5	0,38	1	9	2	A	FULL BORE
	6	BKHK 10 S	2603402000	500	DIN 10S	73	58	26	13,5	0,39	1	9	2	A	FULL BORE
	8	BKHK 12 S	2603403000	500	DIN 12S	76	61	26	13,5	0,39	1	9	2	A	FULL BORE
	10	BKHK 14 S	2603403300	500	DIN 14S	80	64	32	17,5	0,5	1	9	2	A	FULL BORE
	13	BKHK 16 S	2603404000	500	DIN 16S	86	69	35	19	0,6	1	9	2	A	FULL BORE
	13	BKHK 20 S	2603405000	500	DIN 20S	90	69	35	19	0,6	1	9	2	A	FULL BORE
	20	BKHK 25 S	2603406000	420	DIN 25S	109	85	49	24,5	1,55	1	9	2	A	FULL BORE
	25	BKHK 30 S	2603407000	350*	DIN 30S	120	93	58	29,5	2,1	1	9	2	A	FULL BORE
	25	BKHPK 30 S	2603407100	420	DIN 30S	130	103	70	34,5	3,06	1	9	2	A	FULL BORE
	25	BKHK 38 S	2603407200	350*	DIN 38S	124	92	58	29,5	2,3	1	9	2	A	RED. BORE

*) Safety factor 2.2

**) Light series fittings W.P. limited by fitting, GS-Hydro fittings only. Contact GS-Hydro for other material combinations, see also page 3.

Ball valves – high pressure, stainless steel



BKH-316 with BSP thread

DN	Stainless steel		Data						Material				Flow
	Part No	ID Code	W.P.	G	L	B	m	Weight	Body	Ball	Seat	Seals	
4	BKH 1/8 R 316	260100900	500	1/8" BSP	69	26	13,5	0,41	4	4	2	A	FULL BORE
6	BKH 1/4 R 316	2601001000	500	1/4" BSP	69	26	13,5	0,4	4	4	2	A	FULL BORE
10	BKH 3/8 R 316	2601001200	500	3/8" BSP	72	32	17,5	0,54	4	4	2	A	FULL BORE
13	BKH 1/2 R 316	2601001400	500	1/2" BSP	83	35	19	0,65	4	4	2	A	FULL BORE
20	BKH 3/4 R 316	2601001600	315	3/4" BSP	95	49	24,5	1,5	4	4	2	A	FULL BORE
25	BKH 1 R 316	2601001800	315	1" BSP	113	58	29,5	2,2	4	4	2	A	FULL BORE
25	BKH 1 1/4 R 316	2601005000	315	1.1/4" BSP	120	58	29,5	2,3	4	4	2	A	RED. BORE
25	BKH 1 1/2 R 316	2601002400	250	1.1/2" BSP	130	58	29,5	2,6	4	4	2	A	RED. BORE

BKH-316 with NPT thread

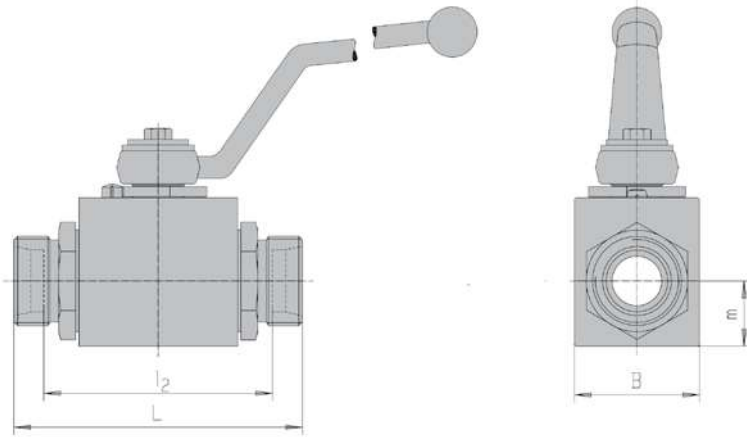
DN	Stainless steel		Data						Material				Flow
	Part No	ID Code	W.P.	G	L	B	m	Weight	Body	Ball	Seat	Seals	
4	BKH 1/8 NPT 316	2601020000	500	1/8" NPT	69	26	13,5	0,3	4	4	2	A	FULL BORE
6	BKH 1/4 NPT 316	2601020100	500	1/4" NPT	69	26	13,5	0,4	4	4	2	A	FULL BORE
10	BKH 3/8 NPT 316	2601020200	500	3/8" NPT	72	32	17,5	0,55	4	4	2	A	FULL BORE
13	BKH 1/2 NPT 316	2601020300	500	1/2" NPT	83	35	19	0,75	4	4	2	A	FULL BORE
20	BKH 3/4 NPT 316	2601020400	315	3/4" NPT	95	49	24,5	1,63	4	4	2	A	FULL BORE
25	BKH 1 NPT 316	2601020500	315	1" NPT	113	58	29,5	2,3	4	4	2	A	FULL BORE
25	BKH 1 1/4 NPT 316	2601020600	315	1.1/4" NPT	120	58	29,5	2,51	4	4	2	A	RED. BORE
25	BKH 1 1/2 NPT 316	2601020700	250	1.1/2" NPT	130	58	29,5	2,7	4	4	2	A	RED. BORE

BKH-316 with UNF thread

DN	Stainless steel		Data						Material				Flow
	Part No	ID Code	W.P.	G	L	B	m	Weight	Body	Ball	Seat	Seals	
6	BKH 7/16 UNF 316	2601021000	500	7/16" UNF	69	26	13,5	0,4	4	4	2	A	FULL BORE
10	BKH 9/16 UNF 316	2601021100	500	9/16" UNF	72	32	17,5	0,5	4	4	2	A	FULL BORE
13	BKH 3/4 UNF 316	2601021200	500	3/4" UNF	83	35	19	0,7	4	4	2	A	FULL BORE
20	BKH 1.1/16 UN 316	2601021300	315	1.1/16" UN	95	49	24,5	1,55	4	4	2	A	FULL BORE
25	BKH 1.5/16 UN 316	2601021400	315	1.5/16" UN	113	58	29,5	2,2	4	4	2	A	FULL BORE

Contact GS-Hydro for other material combinations, see also page 3.

Ball valves – high pressure, stainless steel

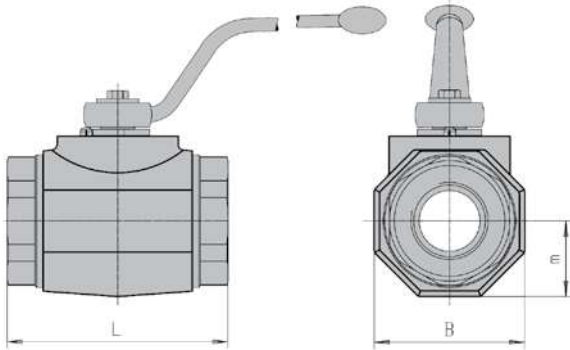


BKH-316 with ISO 8434-1 (DIN 2353)

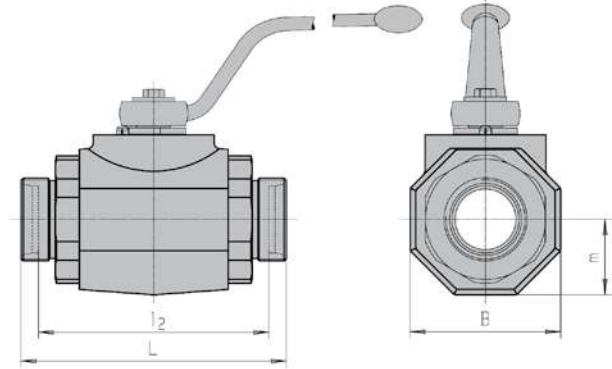
	DN	Stainless steel		Data						Material				Flow	
		Part No	ID Code	W.P.*	G	L	l2	B	m	Weight	Body	Ball	Seat		Seals
Light Series	4	BKHK 06 L 316	2601010000	500	DIN 06L	67	53	26	13,5	0,36	4	4	2	A	FULL BORE
	6	BKHK 08 L 316	2601010200	500	DIN 08L	67	53	26	13,5	0,37	4	4	2	A	FULL BORE
	8	BKHK 10 L 316	2601010400	500	DIN 10L	74	60	26	13,5	0,38	4	4	2	A	FULL BORE
	10	BKHK 12 L 316	2601010600	400	DIN 12L	74	60	32	17,5	0,5	4	4	2	A	FULL BORE
	13	BKHK 15 L 316	2601010800	400	DIN 15L	82	68	35	19	0,61	4	4	2	A	FULL BORE
	16	BKHK 18 L 316	2601011000	250	DIN 18L	82	67	35	19	0,75	4	4	2	A	FULL BORE
	20	BKHK 22 L 316	2601011200	250	DIN 22L	101	86	49	24,5	1,49	4	4	2	A	FULL BORE
	25	BKHK 28 L 316	2601011400	250	DIN 28L	108	93	58	29,5	2	4	4	2	A	FULL BORE
	25	BKHK 35 L 316	2601011600	250	DIN 35L	112	91	58	29,5	2,12	4	4	2	A	RED. BORE
	25	BKHK 42 L 316	2601012000	250	DIN 42L	112	90	58	29,5	2,27	4	4	2	A	RED. BORE
Heavy Series	4	BKHK 06 S 316	2601012100	500	DIN 06S	73	59	26	13,5	0,38	4	4	2	A	FULL BORE
	4	BKHK 08 S 316	2601012200	500	DIN 08S	73	59	26	13,5	0,39	4	4	2	A	FULL BORE
	6	BKHK 10 S 316	2601012400	500	DIN 10S	73	58	26	13,5	0,39	4	4	2	A	FULL BORE
	8	BKHK 12 S 316	2601012600	500	DIN 12S	76	61	26	13,5	0,5	4	4	2	A	FULL BORE
	10	BKHK 14 S 316	2601012700	500	DIN 14S	80	64	32	17,5	0,6	4	4	2	A	FULL BORE
	13	BKHK 16 S 316	2601012800	500	DIN 16S	86	69	35	19	0,6	4	4	2	A	FULL BORE
	16	BKHK 20 S 316	2601013200	400	DIN 20S	90	69	38	19	0,8	4	4	2	A	FULL BORE
	20	BKHK 25 S 316	2601013400	315	DIN 25S	109	85	49	24,5	1,55	4	4	2	A	FULL BORE
	25	BKHK 30 S 316	2601013600	315	DIN 30S	120	93	58	29,5	2,1	4	4	2	A	FULL BORE
	25	BKHK 38 S 316	2601013800	315	DIN 38S	124	92	58	29,5	2,3	4	4	2	A	RED. BORE

*) Light series fittings W.P. limited by fitting, GS-Hydro fittings only.
Contact GS-Hydro for other material combinations, see also page 3.

Ball valves – high pressure



MKH with thread



MKH with ISO 8434-1

MKH with BSP thread

DN	Carbon steel		Data						Material				Flow
	Part No	ID Code	W.P.	G	L	B	m	Weight	Body	Ball	Seat	Seals	
32	MKHP 11/4 R	2603006000	420	1.1/4" BSP	111	81	40,5	3,78	1	1	2	A	FULL BORE
40	MKHP 11/2 R	2603006200	420	1.1/2" BSP	130	100	50	6,5	1	1	2	A	FULL BORE
50	MKHP 2 R	2603006400	420	2" BSP	140	118	59	8,5	1	1	2	A	FULL BORE

MKH with NPT thread

DN	Carbon steel		Data						Material				Flow
	Part No	ID Code	W.P.	G	L	B	m	Weight	Body	Ball	Seat	Seals	
32	MKHP 11/4 NPT	2603020000	420	1.1/4" NPT	120	81	40,5	3,98	1	1	2	A	FULL BORE
40	MKHP 11/2 NPT	2603020100	420	1.1/2" NPT	130	100	50	6,1	1	1	2	A	FULL BORE
50	MKHP 2 NPT	2603020200	420	2" NPT	140	118	59	8,7	1	1	2	A	FULL BORE

MKH with UNF thread

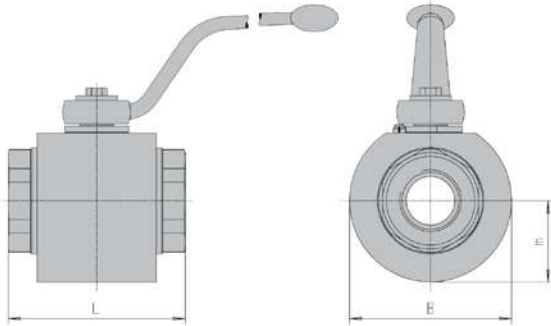
DN	Carbon steel		Data						Material				Flow
	Part No	ID Code	W.P.	G	L	B	m	Weight	Body	Ball	Seat	Seals	
32	MKHP 1.5/8 UN	2603020500	420	1.5/8" UN	111	81	40,5	3,79	1	1	2	A	FULL BORE
40	MKHP 1.7/8 UN	2603020600	420	1.7/8" UN	130	100	50	6,03	1	1	2	A	FULL BORE
50	MKHP 2.1/2 UN	2603020700	420	2.1/2" UN	140	118	59	8,6	1	1	2	A	FULL BORE

MKH with ISO 8434-1 (DIN 2353)

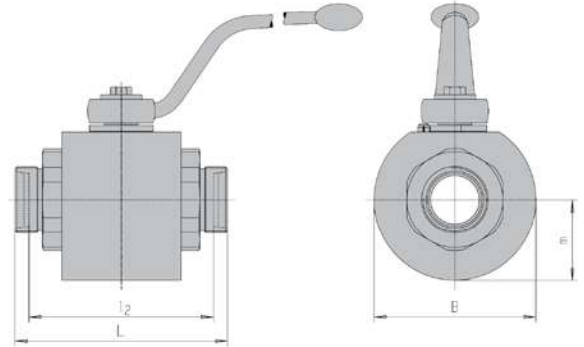
	DN	Carbon steel		Data						Material				Flow	
		Part No	ID Code	W.P.*	G	L	I2	B	m	Weight	Body	Ball	Seat		Seals
L	32	MKHPK 35 L	2603407600	250	DIN 35L	136	115	81	40,5	3,97	1	1	2	A	FULL BORE
	40	MKHPK 42 L	2603408500	250	DIN 42L	147	125	100	50	5,93	1	1	2	A	FULL BORE
S	32	MKHPK 38 S	2603408000	420	DIN 38S	148	116	81	40,5	4,16	1	1	2	A	FULL BORE

*) Light series fittings W.P. limited by fitting, GS-Hydro fittings only. Contact GS-Hydro for other material combinations, see also page 3.

Ball valves – high pressure, stainless steel



MKH with thread



MKH with ISO 8434-1

MKH-316 with BSP thread

DN	Stainless steel		Data						Material				Flow
	Part No	ID Code	W.P.	G	L	B	m	Weight	Body	Ball	Seat	Seals	
32	MKHP 11/4 R 316	2601002000	420	1.1/4" BSP	111	109	54,5	6,1	4	4	2	A	FULL BORE
40	MKHP 11/2 R 316	2601002200	420	1.1/2" BSP	130	124	62	8,66	4	4	2	A	FULL BORE
50	MKHP 2 R 316	2601002500	420	2" BSP	140	132	66	10,3	4	4	2	A	FULL BORE

MKH-316 with NPT thread

DN	Stainless steel		Data						Material				Flow
	Part No	ID Code	W.P.	G	L	B	m	Weight	Body	Ball	Seat	Seals	
32	MKHP 11/4 NPT 316	2601022000	420	1.1/4" NPT	120	109	54,5	6,24	4	4	2	A	FULL BORE
40	MKHP 11/2 NPT 316	2601022100	420	1.1/2" NPT	130	124	62	8,54	4	4	2	A	FULL BORE
50	MKHP 2 NPT 316	2601022200	420	2" NPT	140	132	66	10,4	4	4	2	A	FULL BORE

MKH-316 with UNF thread

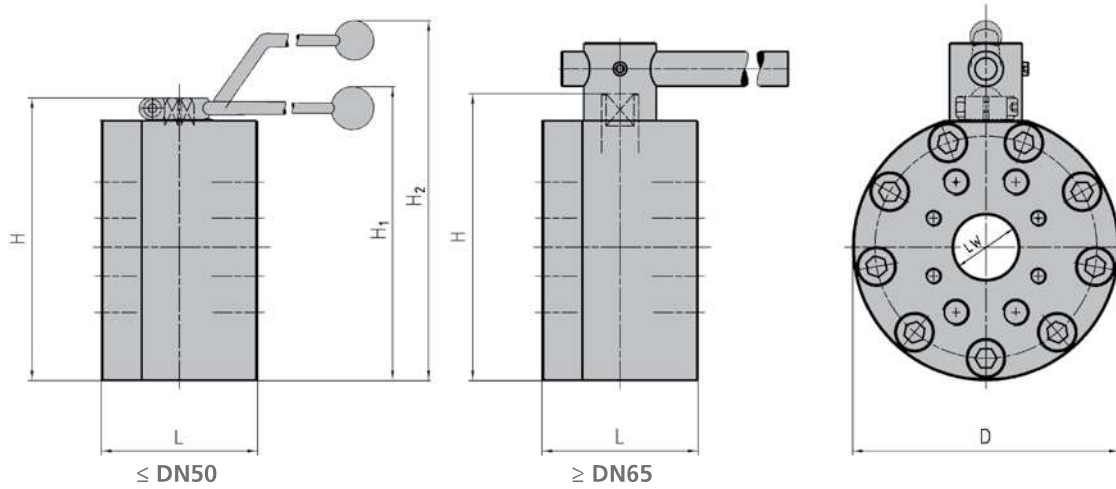
DN	Stainless steel		Data						Material				Flow
	Part No	ID Code	W.P.	G	L	B	m	Weight	Body	Ball	Seat	Seals	
32	MKHP 1.5/8 UN 316	2601023100	420	1.5/8" UN	111	109	54,5	6,07	4	4	2	A	FULL BORE
40	MKHP 1.7/8 UN 316	2601023200	420	1.7/8" UN	130	124	62	8,61	4	4	2	A	FULL BORE
50	MKHP 2.1/2 UN 316	2601023300	420	2.1/2" UN	140	132	66	9,45	4	4	2	A	FULL BORE

MKH-316 with ISO 8434-1 (DIN 2353)

	DN	Stainless steel		Data						Material				Flow	
		Part No	ID Code	W.P.*	G	L	I2	B	m	Weight	Body	Ball	Seat		Seals
L	32	MKHPK 35 L 316	2601011800	250	DIN 35L	136	115	109	54,5	6,18	4	4	2	A	FULL BORE
	40	MKHPK 42 L 316	2601011900	250	DIN 42L	147	125	124	62	8,48	4	4	2	A	FULL BORE
S	32	MKHPK 38 S 316	2601014000	420	DIN 38S	148	116	109	54,5	6,48	4	4	2	A	FULL BORE

*) Light series fittings W.P. limited by fitting, GS-Hydro fittings only.
 Contact GS-Hydro for other material combinations, see also page 3.
 Ordinary MKH build available for W.P. below 315 bar.

Ball valves – high pressure



SAE 3000 psi / 6000 psi

Size	Carbon steel		Data								Material				Flow
	Part No	ID Code	W.P.	LW	L	H	H1	H2	D	Weight	Body	Ball	Seat	Seals	
1/2"	SAE 210/420-15	2603034000	210/420	15	75	88	-	132	88	2,96	2	1	2	A	FULL BORE
3/4"	SAE 210/420-20	2603034200	210/420	20	80	100	103	-	98	4,21	2	1	2	A	FULL BORE
1"	SAE 210/420-25	2603034400	210/420	25	88	113	116	-	118	6,01	2	1	2	A	FULL BORE
1 1/4"	SAE 210/420-32	2603034600	210/420	32	100	158	167	-	145	12,1	2	1	2	A	FULL BORE
1 1/2"	SAE 210/420-40	2603034800	210/420	38	110	178	187	-	165	17,5	2	1	2	A	FULL BORE
2"	SAE 210/420-50	2603035000	210/420	48	116	210	219	-	198	25	2	1	2	A	FULL BORE

SAE 3000 psi

Size	Carbon steel		Data						Material				Flow
	Part No	ID Code	W.P.	LW	L	H	D	Weight	Body	Ball	Seat	Seals	
2 1/2"	SAE 210-65	2603035200	210	63	150	259	198	33,5	2	1	2	A	FULL BORE
3"	SAE 210-80	2603035400	210	76	140	277	210	33,5	2	1	2	A	FULL BORE
4"	SAE 210-100	2603035600	210	100	170	326	258	60,5	2	1	2	A	FULL BORE
5"	SAE 210-125	2603035800	210	118	210	377	295	95,5	2	1	2	A	FULL BORE

SAE 10 000 psi

Size	Carbon steel		Data				Material				Flow	
	Part No	ID Code	W.P.	LW	L	D	Weight	Body	Ball	Seat		Seals
1/2"	SAE 690-15	2601040000	690	6,4	88	91		4*	4*	g	A	FULL BORE
3/4"	SAE 690-20	2601040100	690	11	88	115		4*	4*	g	A	FULL BORE
1"	SAE 690-25	2601040200	690	15	88	115		4*	4*	g	A	FULL BORE
1 1/4"	SAE 690-32	2601040300	690	22,7	103	125		4*	4*	g	A	FULL BORE
1 1/2"	SAE 690-40	2601040400	690	27,9	103	140		4*	4*	g	A	FULL BORE
2"	SAE 690-50	2601040500	690	38,1	140	195		4*	4*	g	A	FULL BORE

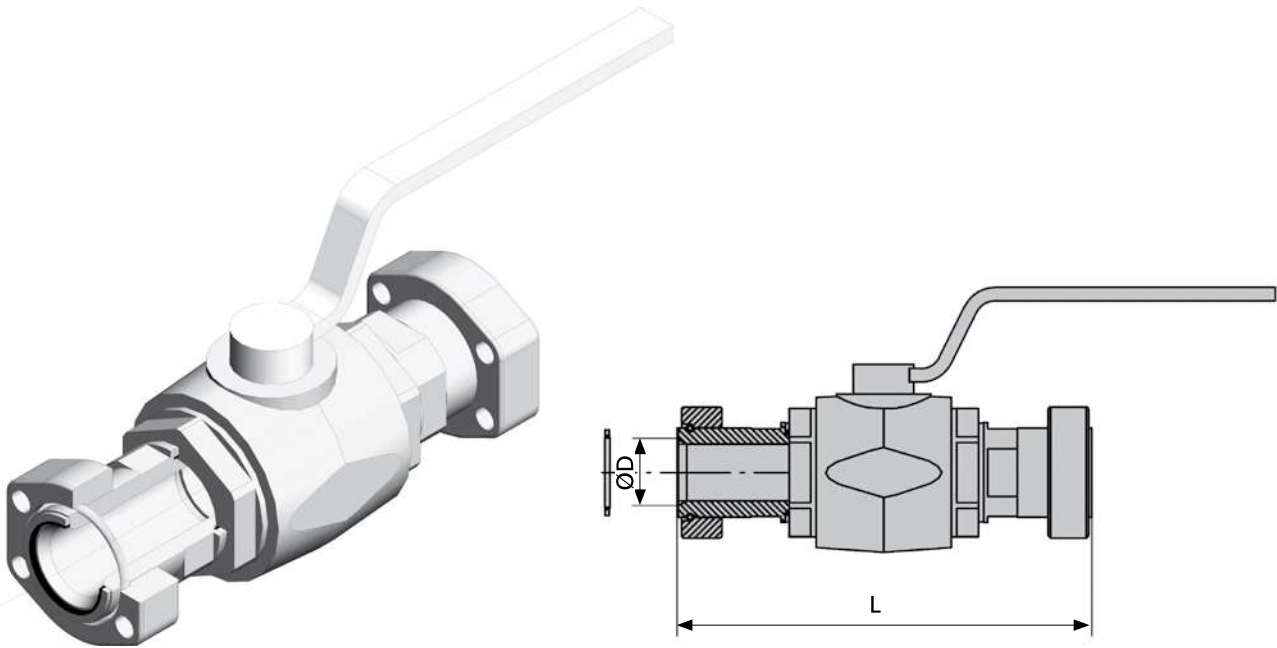
ISO6164 DIN 350-400 bar

Size	Carbon steel		Data				Material				Flow	
	Part No	ID Code	W.P.	LW	L	D	Weight	Body	Ball	Seat		Seals
2"	432-050	2603030200	400	48	116	198	25,5	2	1	2	A	FULL BORE
2 1/2"	440-050	2603030400	400	60/48	116	198	25,3	2	1	2	A	FULL BORE
3"	448-065	2603030600	350	63	150	208	36	2	1	2	A	FULL BORE
4"	456-080	2603030800	350	76	140	215	34,26	2	1	2	A	FULL BORE
4"	456-090	2603031000	350	88	170	260	60,4	2	1	2	A	FULL BORE
4 1/2"	860-100	2603031200	350	100	170	260	60,4	2	1	2	A	FULL BORE
5"	864-125	2603031400	350	118	210	300	96,8	2	1	2	A	FULL BORE
6"	880-150	2603031800	350	150	285	390	225,5	2	1	2	A	FULL BORE
8"	896-200	2603032000	350	200/192	378	456	395	2	1	2	A	FULL BORE

Contact GS-Hydro for other material combinations, see also page 3.

*) Duplex, Stainless steel

Ball valves – high pressure



Ball valve with GS-flange connection SAE 3000 psi

Size	Complete Part No	ID Code	W.P. [bar]	Ball valve Part No	L	D	Weight [kg]
1/2"	308129	2603010000	350	BKH 1/2 R	184	14	1.5
3/4"	312129	2603010400	350	BKH 3/4 R	218	21	2.6
1"	316129	2603010800	350	BKH 1 R	243	24	3.7
1 1/4"	320129	2603011200	280	MKHP 1 1/4 R	247	31	5.5
1 1/2"	324129	2603011600	280	MKHP 1 1/2 R	286	38	9.0
2"	332129	2603012000	280	MKHP 2 R	306	49	12.9

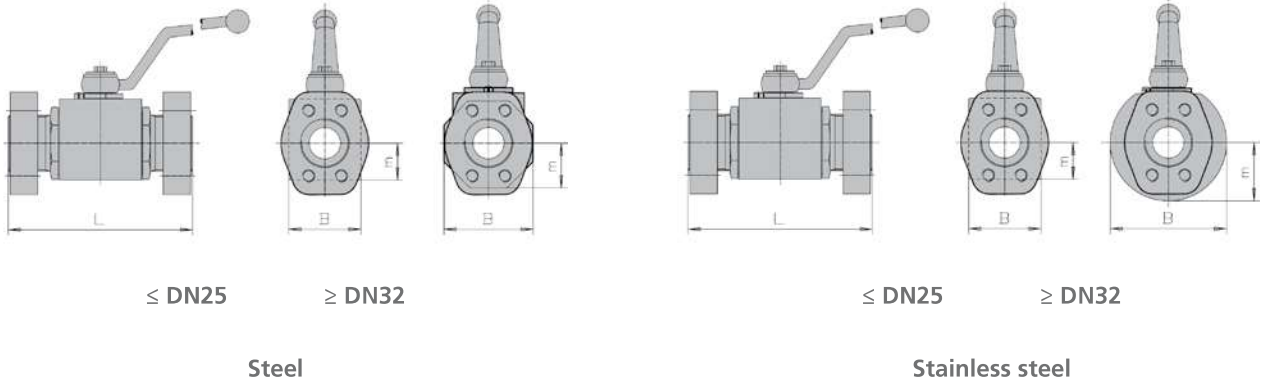
Ball valve with GS-flange connection SAE 6000 psi

Size	Complete Part No	ID Code	W.P. [bar]	Ball valve Part No	L	D	Weight [kg]
1/2"	608129	2603015000	420	BKH 1/2 R	184	14	1.70
3/4"	612129	2603015400	420	BKH 3/4 R	218	21	3.00
1"	616129	2603015800	420	BKHP 1 R	243*	24	4.10
1 1/4"	620129	2603016200	420	MKHP 1 1/4 R	247	31	6.30
1 1/2"	624129	2603016600	420	MKHP 1 1/2 R	286	38	10.4
2"	632129	2603017000	420	MKHP 2 R	306	49	15.1

Body material:
 Standard= carbon steel
 Stainless steel= add SS after Part No
 Contact GS-Hydro for other material combinations, see also page 3.

*) 261 in stainless steel

Ball valves – high pressure



Ball valves with SAE-flanges tapped for metric bolts, flat seal face.
Threaded bolt holes.

Steel

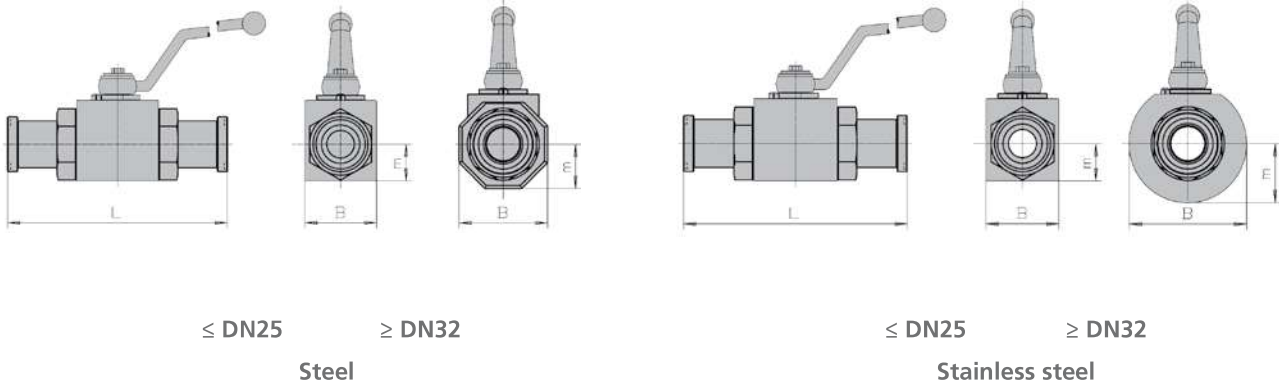
	DN	Carbon steel		Data						Material				Flow
		Part No	ID Code	W.P.	DN	L	B	m	Weight	Body	Ball	Seat	Seals	
SAE 3000 PSI	1/2"	1/2BKH-SAE3	2603501000	210	13	120	35	19	1,5	1	1	2	A	FULL BORE
	3/4"	3/4BKH-SAE3	2603501100	210	20	136	49	24,5	3	1	1	2	A	FULL BORE
	1"	1BKH-SAE3	2603501200	210	25	148	58	29,5	4,5	1	1	2	A	FULL BORE
	1.1/4"	11/4MKHP-SAE3	2603501300	210	32	172	81	40,5	7,52	1	1	2	A	FULL BORE
	1.1/2"	11/2MKHP-SAE3	2603501400	210	40	177	100	50	11,09	1	1	2	A	FULL BORE
	2"	2MKHP-SAE3	2603501500	210	50	196	118	59	19,29	1	1	2	A	FULL BORE
SAE 6000 PSI	1/2"	1/2BKH-SAE6	2603502000	420	13	120	35	19	1,5	1	1	2	A	FULL BORE
	3/4"	3/4BKH-SAE6	2603502100	420	20	136	49	24,5	3	1	1	2	A	FULL BORE
	1"	1BKHP-SAE6	2603502200	420	25	156	70	34,5	6	1	1	2	A	FULL BORE
	1.1/4"	11/4MKHP-SAE6	2603502300	420	32	172	81	40,5	7,52	1	1	2	A	FULL BORE
	1.1/2"	11/2MKHP-SAE6	2603502400	420	40	177	100	50	11,09	1	1	2	A	FULL BORE
	2"	2MKHP-SAE6	2603502500	420	50	196	118	59	19,29	1	1	2	A	FULL BORE

Stainless steel

	DN	Stainless steel		Data						Material				Flow
		Part No	ID Code	W.P.	DN	L	B	m	Weight	Body	Ball	Seat	Seals	
SAE 3000 PSI	1/2"	1/2BKH-SAE3 316	2601501000	210	13	120	35	19	1,5	4	4	2	A	FULL BORE
	3/4"	3/4BKH-SAE3 316	2601501100	210	20	136	49	24,5	3	4	4	2	A	FULL BORE
	1"	1BKH-SAE3 316	2601501200	210	25	148	58	29,5	4,5	4	4	2	A	FULL BORE
	1.1/4"	11/4MKHP-SAE3 316	2601501300	210	32	172	109	54,5	9,72	4	4	2	A	FULL BORE
	1.1/2"	11/2MKHP-SAE3 316	2601501400	210	40	177	124	62	13,57	4	4	2	A	FULL BORE
	2"	2MKHP-SAE3 316	2601501500	210	50	196	132	66	20,25	4	4	2	A	FULL BORE
SAE 6000 PSI	1/2"	1/2BKH-SAE6 316	2601502000	420	13	120	35	19	1,5	4	4	2	A	FULL BORE
	3/4"	3/4BKH-SAE6 316	2601502100	315	20	136	49	24,5	3	4	4	2	A	FULL BORE
	1"	1BKH-SAE6 316	2601502200	315	25	148	58	29,5	4,5	4	4	2	A	FULL BORE
	1.1/4"	11/4MKHP-SAE6 316	2601502300	420	32	172	109	54,5	9,72	4	4	2	A	FULL BORE
	1.1/2"	11/2MKHP-SAE6 316	2601502400	420	40	177	124	62	13,57	4	4	2	A	FULL BORE
	2"	2MKHP-SAE6 316	2601502500	420	50	196	132	66	20,25	4	4	2	A	FULL BORE

UNC tapped version available on request.
Contact GS-Hydro for other material combinations, see also page 3.

Ball valves – high pressure



Ball valves for SAE split flange connection, O-ring seal face.

Steel

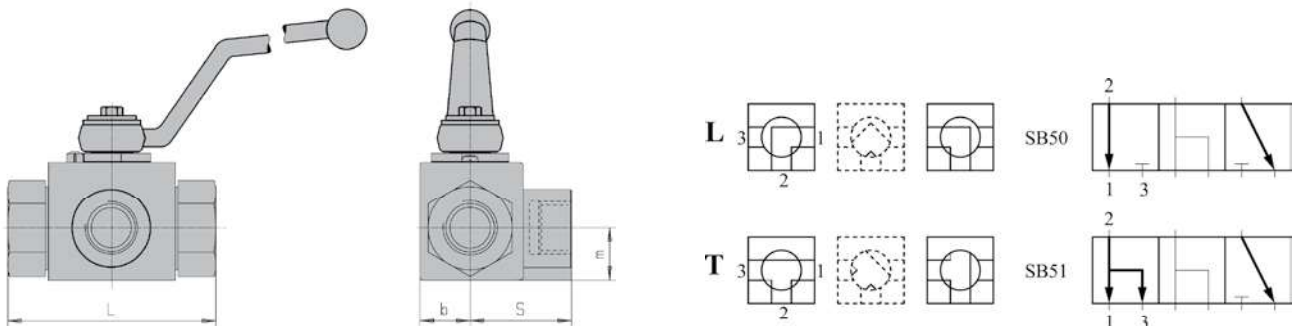
	DN	Carbon steel		Data						Material				Flow
		Part No	ID Code	W.P.	DN	L	B	m	Weight	Body	Ball	Seat	Seals	
SAE 3000 PSI	1/2"	1/2BKH-FS3	2603503000	210	13	151	35	19	0,85	1	1	2	A	FULL BORE
	3/4"	3/4BKH-FS3	2603503100	210	20	162	49	24,5	1,87	1	1	2	A	FULL BORE
	1"	1BKH-FS3	2603503200	210	25	178	58	29,5	2,7	1	1	2	A	FULL BORE
	1.1/4"	11/4MKHP-FS3	2603503300	210	32	191	81	40,5	4,22	1	1	2	A	FULL BORE
	1.1/2"	11/2MKHP-FS3	2603503400	210	40	231	100	50	6,54	1	1	2	A	FULL BORE
	2"	2MKHP-FS3	2603503500	210	50	232	118	59	9,29	1	1	2	A	FULL BORE
SAE 6000 PSI	1/2"	1/2BKH-FS6	2603504000	420	13	151	35	19	0,9	1	1	2	A	FULL BORE
	3/4"	3/4BKH-FS6	2603504100	420	20	174	49	24,5	1,95	1	1	2	A	FULL BORE
	1"	1BKH-FS6	2603504200	420	25	206	70	34,5	3,66	1	1	2	A	FULL BORE
	1.1/4"	11/4MKHP-FS6	2603504300	420	32	223	81	40,5	4,72	1	1	2	A	FULL BORE
	1.1/2"	11/2MKHP-FS6	2603504400	420	40	281	100	50	7,49	1	1	2	A	FULL BORE
	2"	2MKHP-FS6	2603504500	420	50	316	118	59	11,39	1	1	2	A	FULL BORE

Stainless steel

	DN	Stainless steel		Data						Material				Flow
		Part No	ID Code	W.P.	DN	L	B	m	Weight	Body	Ball	Seat	Seals	
SAE 3000 PSI	1/2"	1/2BKH-FS3 316	2601503000	210	13	151	35	19	0,85	4	4	2	A	FULL BORE
	3/4"	3/4BKH-FS3 316	2601503100	210	20	162	49	24,5	1,87	4	4	2	A	FULL BORE
	1"	1BKH-FS3 316	2601503200	210	25	178	58	29,5	2,7	4	4	2	A	FULL BORE
	1.1/4"	11/4MKHP-FS3 316	2601503300	210	32	191	109	54,5	6,8	4	4	2	A	FULL BORE
	1.1/2"	11/2MKHP-FS3 316	2601503400	210	40	231	124	62	9,4	4	4	2	A	FULL BORE
	2"	2MKHP-FS3 316	2601503500	210	50	232	132	66	10,64	4	4	2	A	FULL BORE
SAE 6000 PSI	1/2"	1/2BKH-FS6 316	2601504000	420	13	151	35	19	0,9	4	4	2	A	FULL BORE
	3/4"	3/4BKH-FS6 316	2601504100	315	20	174	49	24,5	1,95	4	4	2	A	FULL BORE
	1"	1BKH-FS6 316	2601504200	315	25	198	58	29,5	3	4	4	2	A	FULL BORE
	1.1/4"	11/4MKHP-FS6 316	2601504300	420	32	223	109	54,5	7,3	4	4	2	A	FULL BORE
	1.1/2"	11/2MKHP-FS6 316	2601504400	420	40	281	124	62	10,35	4	4	2	A	FULL BORE
	2"	2MKHP-FS6 316	2601504500	420	50	316	132	66	12,74	4	4	2	A	FULL BORE

Contact GS-Hydro for other material combinations, see also page 3.

Ball valves – high pressure



Pressure inlet only from the port in the middle.
Standard valve delivered with L-bore.
For T-bore, please add T to the Part No.

BK3 with BSP thread

DN	Carbon steel		Data							Material				Flow
	Part No	ID Code	W.P.	G	L	B	S	M	Weight	Body	Ball	Seat	Seals	
4	BK3 1/8 R	2603359900	500	1/8" BSP	69	13	34,5	13,5	0,4	1	1	2	A	FULL BORE
6	BK3 1/4 R	2603360000	500	1/4" BSP	69	13	34,5	13,5	0,46	1	1	2	A	FULL BORE
10	BK3 3/8 R	2603361000	500	3/8" BSP	72	16	36	17,5	0,6	1	1	2	A	FULL BORE
13	BK3 1/2 R	2603362000	500	1/2" BSP	83	17,5	41,5	19	0,7	1	1	2	A	FULL BORE
20	BK3 3/4 R	2603362600	315	3/4" BSP	95	24,5	47,5	24,5	1,8	1	1	2	A	FULL BORE
25	BK3 1 R	2603363000	315	1" BSP	113	29	56,5	29,5	2,4	1	1	2	A	FULL BORE
32	BK3 1 1/4 R	2603364000	350	1 1/4" BSP	111	39	55	39	3,8	1	1	2	A	FULL BORE
40	BK3 1 1/2 R	2603365000	350	1 1/2" BSP	130	53	65	53	6,2	1	1	2	A	FULL BORE
50	BK3 2 R	2603366000	350	2" BSP	150	58	75	58	7,8	1	1	2	A	FULL BORE

BK3 with NPT thread

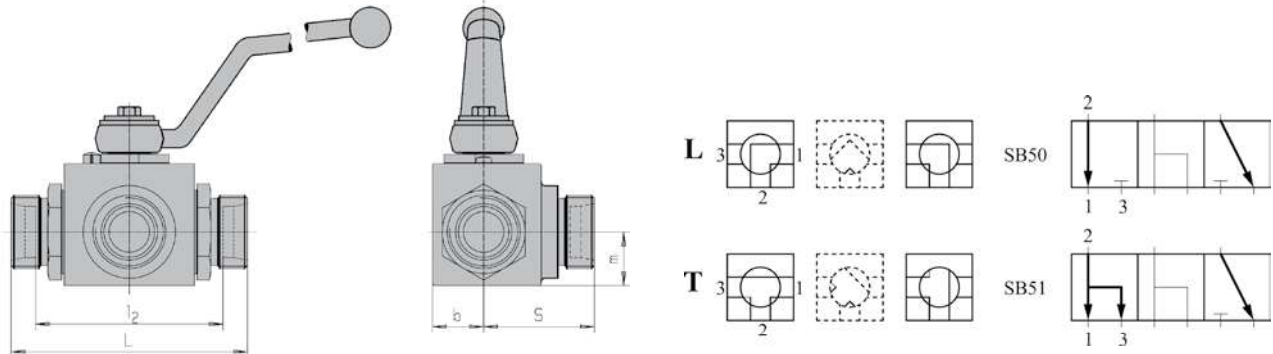
DN	Carbon steel		Data							Material				Flow
	Part No	ID Code	W.P.	G	L	B	S	M	Weight	Body	Ball	Seat	Seals	
4	BK3 1/8 NPT	2603370000	500	1/8" NPT	69	13	34,5	13,5	0,4	1	1	2	A	FULL BORE
6	BK3 1/4 NPT	2603370100	500	1/4" NPT	69	13	34,5	13,5	0,46	1	1	2	A	FULL BORE
10	BK3 3/8 NPT	2603370200	500	3/8" NPT	72	16	36	17,5	0,6	1	1	2	A	FULL BORE
13	BK3 1/2 NPT	2603370300	500	1/2" NPT	83	17,5	41,5	19	0,7	1	1	2	A	FULL BORE
20	BK3 3/4 NPT	2603370400	315	3/4" NPT	95	24,5	47,5	24,5	1,8	1	1	2	A	FULL BORE
25	BK3 1 NPT	2603370500	315	1" NPT	113	29	56,5	29,5	2,4	1	1	2	A	FULL BORE
32	BK3 1 1/4 NPT	2603370700	350	1 1/4" NPT	111	39	60	39	3,8	1	1	2	A	FULL BORE
40	BK3 1 1/2 NPT	2603370800	350	1 1/2" NPT	130	53	70	53	6,2	1	1	2	A	FULL BORE
50	BK3 2 NPT	2603370900	350	2" NPT	150	58	75	58	7,8	1	1	2	A	FULL BORE

BK3 with UNF thread

DN	Carbon steel		Data							Material				Flow
	Part No	ID Code	W.P.	G	L	B	S	M	Weight	Body	Ball	Seat	Seals	
6	BK3 7/16 UNF	2603380000	500	7/16" UNF	69	13	34,5	13,5	0,5	1	1	2	A	FULL BORE
10	BK3 9/16 UNF	2603380100	500	9/16" UNF	72	16	36	17,5	0,6	1	1	2	A	FULL BORE
13	BK3 3/4 UNF	2603380200	500	3/4" UNF	83	17,5	41,5	19	0,7	1	1	2	A	FULL BORE
20	BK3 1.1/16 UN	2603380300	315	1.1/16" UN	95	24,5	47,5	24,5	1,8	1	1	2	A	FULL BORE
25	BK3 1.5/16 UN	2603380400	315	1.5/16" UN	113	29	56,5	29,5	2,7	1	1	2	A	FULL BORE
32	BK3 1.5/8 UN	2603380500	350	1.5/8" UN	111	39	60	39	3,8	1	1	2	A	FULL BORE
40	BK3 1.7/8 UN	2603380700	350	1.7/8" UN	130	53	70	53	6,2	1	1	2	A	FULL BORE
50	BK3 2.1/2 UN	2603380800	350	2.1/2" UN	150	58	75	58	7,8	1	1	2	A	FULL BORE

Contact GS-Hydro for other material combinations, see also page 3.

Ball valves – high pressure



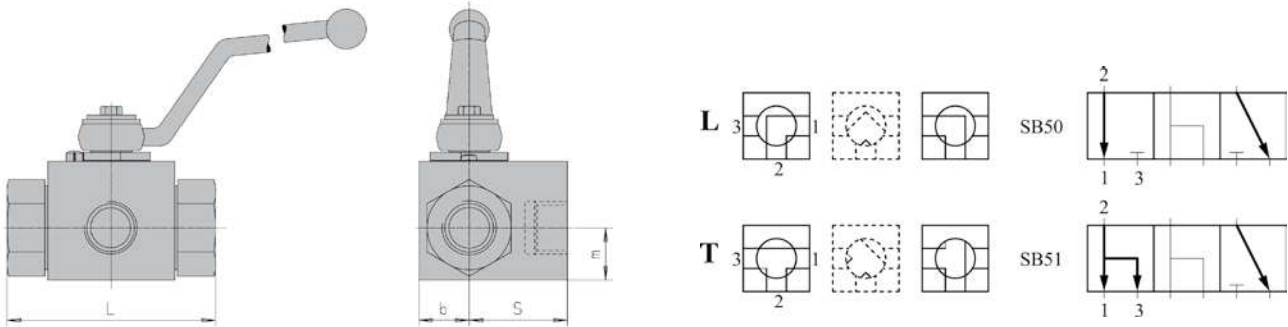
Pressure inlet only from the port in the middle.
 Standard valve delivered with L-bore.
 For T-bore, please add T to the Part No.

BK3 with ISO 8434-1 (DIN 2353)

	DN	Carbon steel		Data								Material				Flow
		Part No	ID Code	W.P.*	G	L	l2	B	S	M	Weight	Body	Ball	Seat	Seals	
LIGHT SERIES	4	BK3K 06 L	2603382000	500	DIN 06L	67	53	13	33,5	13,5	0,3	1	1	2	A	FULL BORE
	6	BK3K 08 L	2603382100	500	DIN 08L	67	53	13	33,5	13,5	0,4	1	1	2	A	FULL BORE
	8	BK3K 10 L	2603382200	500	DIN 10L	74	60	13	34,5	13,5	0,4	1	1	2	A	FULL BORE
	10	BK3K 12 L	2603382300	400	DIN 12L	74	60	16	36,5	17,5	0,5	1	1	2	A	FULL BORE
	13	BK3K 15 L	2603382400	400	DIN 15L	82	68	17,5	41	19	0,65	1	1	2	A	FULL BORE
	13	BK3K 18 L	2603382500	250	DIN 18L	82	67	17,5	41,5	19	0,69	1	1	2	A	FULL BORE
	20	BK3K 22 L	2603382700	250	DIN 22L	101	86	24,5	48	24,5	1,5	1	1	2	A	FULL BORE
	25	BK3K 28 L	2603382800	250	DIN 28L	108	93	29	54	29,5	2,1	1	1	2	A	FULL BORE
	25	BK3K 35 L	2603382900	250	DIN 35L	112	91	29	56	29,5	2,5	1	1	2	A	RED. BORE
S-SERIES	4	BK3K 08 S	2603384000	500	DIN 08S	73	59	13	34,5	13,5	0,42	1	1	2	A	FULL BORE
	6	BK3K 10 S	2603384100	500	DIN 10S	73	58	13	34,5	13,5	0,43	1	1	2	A	FULL BORE
	8	BK3K 12 S	2603384200	500	DIN 12S	76	61	13	34,5	13,5	0,44	1	1	2	A	FULL BORE
	10	BK3K 14 S	2603384300	500	DIN 14S	80	64	16	36,5	17,5	0,5	1	1	2	A	FULL BORE
	13	BK3K 16 S	2603384400	500	DIN 16S	86	69	17,5	43	19	0,65	1	1	2	A	FULL BORE
	13	BK3K 20 S	2603384500	500	DIN 20S	90	69	17,5	43	19	0,7	1	1	2	A	FULL BORE
	20	BK3K 25 S	2603384700	315	DIN 25S	109	85	24,5	48	24,5	1,7	1	1	2	A	FULL BORE
	25	BK3K 30 S	2603384800	315	DIN 30S	120	93	29	57,5	29,5	2,4	1	1	2	A	FULL BORE
	25	BK3K 38 S	2603384900	315	DIN 38S	124	92	29	57,5	29,5	2,8	1	1	2	A	RED. BORE

*) Light series fittings W.P. limited by fitting, GS-Hydro fittings only.
 Contact GS-Hydro for other material combinations, see also page 3.

Ball valves – high pressure, stainless steel



Pressure inlet only from the port in the middle.
Standard valve delivered with L-bore.
For T-bore, please add T to the Part No.

BK3 with BSP thread

DN	Stainless steel		Data							Material				Flow
	Part No	ID Code	W.P.	G	L	B	S	M	Weight	Body	Ball	Seat	Seals	
4	BK3 1/8 R 316	2601359900	500	1/8" BSP	69	13	34,5	13,5	0,55	4	4	2	A	FULL BORE
6	BK3 1/4 R 316	2601360000	500	1/4" BSP	69	13	34,5	13,5	0,55	4	4	2	A	FULL BORE
10	BK3 3/8 R 316	2601361000	500	3/8" BSP	72	16	36	17,5	0,77	4	4	2	A	FULL BORE
13	BK3 1/2 R 316	2601362000	500	1/2" BSP	83	17,5	41,5	19	0,9	4	4	2	A	FULL BORE
20	BK3 3/4 R 316	2601362600	315	3/4" BSP	95	24,5	47,5	24,5	1,95	4	4	2	A	FULL BORE
25	BK3 1 R 316	2601363000	315	1" BSP	113	29	56,5	29,5	2,4	4	4	2	A	FULL BORE
32	BK3 1 1/4 R 316	2601364000	350	1 1/4" BSP	111	39	55	39	7,0	4	4	2	A	FULL BORE
40	BK3 1 1/2 R 316	2601365000	350	1 1/2" BSP	130	53	65	53	10,5	4	4	2	A	FULL BORE
50	BK3 2 R 316	2601366000	350	2" BSP	150	58	75	58	14,5	4	4	2	A	FULL BORE

BK3 with NPT thread

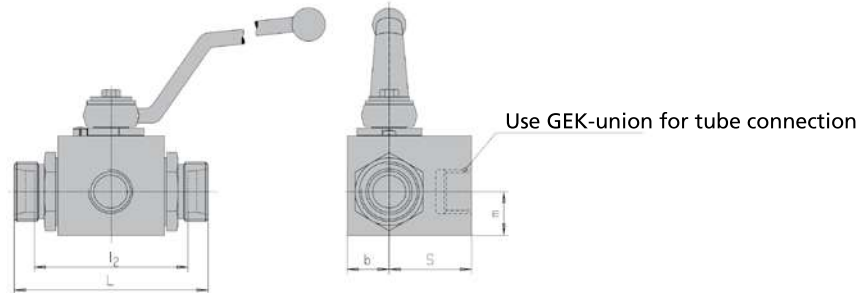
DN	Stainless steel		Data							Material				Flow
	Part No	ID Code	W.P.	G	L	B	S	M	Weight	Body	Ball	Seat	Seals	
4	BK3 1/8 NPT 316	2601370000	500	1/8" NPT	69	13	34,5	13,5	0,55	4	4	2	A	FULL BORE
6	BK3 1/4 NPT 316	2601370100	500	1/4" NPT	69	13	34,5	13,5	0,55	4	4	2	A	FULL BORE
10	BK3 3/8 NPT 316	2601370200	500	3/8" NPT	72	16	36	17,5	0,77	4	4	2	A	FULL BORE
13	BK3 1/2 NPT 316	2601370300	500	1/2" NPT	83	17,5	41,5	19	0,9	4	4	2	A	FULL BORE
20	BK3 3/4 NPT 316	2601370400	315	3/4" NPT	95	24,5	47,5	24,5	1,95	4	4	2	A	FULL BORE
25	BK3 1 NPT 316	2601370500	315	1" NPT	113	29	56,5	29,5	2,4	4	4	2	A	FULL BORE
32	BK3 1 1/4 NPT 316	2601370700	350	1 1/4" NPT	111	39	60	39	7,0	4	4	2	A	FULL BORE
40	BK3 1 1/2 NPT 316	2601370800	350	1 1/2" NPT	130	53	70	53	10,5	4	4	2	A	FULL BORE
50	BK3 2 NPT 316	2601370900	350	2" NPT	150	58	75	58	14,5	4	4	2	A	FULL BORE

BK3 with UNF thread

DN	Stainless steel		Data							Material				Flow
	Part No	ID Code	W.P.	G	L	B	S	M	Weight	Body	Ball	Seat	Seals	
6	BK3 7/16 UNF 316	2601380000	500	7/16" UNF	69	13	34,5	13,5	0,55	4	4	2	A	FULL BORE
10	BK3 9/16 UNF 316	2601380100	500	9/16" UNF	72	16	36	17,5	0,77	4	4	2	A	FULL BORE
13	BK3 3/4 UNF 316	2601380200	500	3/4" UNF	83	17,5	39,5	19	0,9	4	4	2	A	FULL BORE
20	BK3 1.1/16 UN 316	2601380300	315	1.1/16" UN	95	24,5	47,5	24,5	1,95	4	4	2	A	FULL BORE
25	BK3 1.5/16 UN 316	2601380400	315	1.5/16" UN	113	29	56,5	29,5	2,8	4	4	2	A	FULL BORE
32	BK3 1.5/8 UN 316	2601380500	350	1.5/8" UN	111	39	60	39	7,0	4	4	2	A	FULL BORE
40	BK3 1.7/8 UN 316	2601380700	350	1.7/8" UN	130	53	70	53	10,5	4	4	2	A	FULL BORE
50	BK3 2.1/2 UN 316	2601380800	350	2.1/2" UN	150	58	75	58	14,5	4	4	2	A	FULL BORE

Contact GS-Hydro for other material combinations, see also page 3.

Ball valves – high pressure, stainless steel



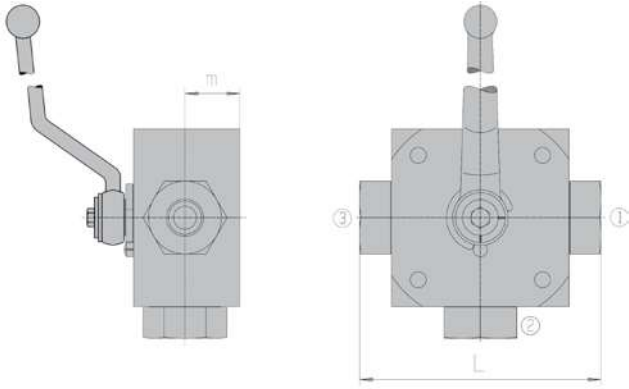
Pressure inlet only from the port in the middle.
 Standard valve delivered with L-bore.
 For T-bore, please add T to the Part No.

BK3 ISO 8434-1 (DIN 2353)

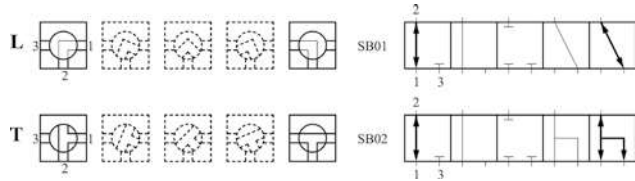
	DN	Stainless steel		Data								Material				Flow
		Part No	ID Code	W.P.*	G	L	I2	B	S	M	Weight	Body	Ball	Seat	Seals	
LIGHT SERIES	4	BK3K 06 L 316	2601382000	500	DIN 06L	67	53	13	34,5	13,5	0,5	4	4	2	A	FULL BORE
	6	BK3K 08 L 316	2601382100	500	DIN 08L	67	53	13	34,5	13,5	0,52	4	4	2	A	FULL BORE
	8	BK3K 10 L 316	2601382200	500	DIN 10L	74	60	13	34,5	13,5	0,54	4	4	2	A	FULL BORE
	10	BK3K 12 L 316	2601382300	400	DIN 12L	74	60	16	36	17,5	0,73	4	4	2	A	FULL BORE
	13	BK3K 15 L 316	2601382400	400	DIN 15L	82	68	17,5	39,5	19	0,85	4	4	2	A	FULL BORE
	13	BK3K 18 L 316	2601382500	250	DIN 18L	82	67	17,5	39,5	19	0,89	4	4	2	A	FULL BORE
	20	BK3K 22 L 316	2601382700	250	DIN 22L	101	86	24,5	47,5	24,5	1,87	4	4	2	A	FULL BORE
	25	BK3K 28 L 316	2601382800	250	DIN 28L	108	93	29	56,5	29,5	2,45	4	4	2	A	FULL BORE
	25	BK3K 35 L 316	2601382900	250	DIN 35L	112	91	29	57	29,5	2,9	4	4	2	A	RED. BORE
S-SERIES	4	BK3K 08 S 316	2601384000	500	DIN 08S	73	59	13	34,5	13,5	0,52	4	4	2	A	FULL BORE
	6	BK3K 10 S 316	2601384100	500	DIN 10S	73	58	13	34,5	13,5	0,54	4	4	2	A	FULL BORE
	8	BK3K 12 S 316	2601384200	500	DIN 12S	76	61	13	34,5	13,5	0,56	4	4	2	A	FULL BORE
	10	BK3K 14 S 316	2601384300	500	DIN 14S	80	64	16	36	17,5	0,73	4	4	2	A	FULL BORE
	13	BK3K 16 S 316	2601384400	500	DIN 16S	86	69	17,5	39,5	19	0,86	4	4	2	A	FULL BORE
	13	BK3K 20 S 316	2601384500	500	DIN 20S	90	69	17,5	39,5	19	0,94	4	4	2	A	FULL BORE
	20	BK3K 25 S 316	2601384700	315	DIN 25S	109	85	24,5	47,5	24,5	1,95	4	4	2	A	FULL BORE
	25	BK3K 30 S 316	2601384800	315	DIN 30S	120	93	29	56,5	29,5	2,65	4	4	2	A	FULL BORE
	25	BK3K 38 S 316	2601384900	315	DIN 38S	124	92	29	57	29,5	3,1	4	4	2	A	RED. BORE

*) Light series fittings W.P. limited by fitting, GS-Hydro fittings only.
 Contact GS-Hydro for other material combinations, see also page 3.

Ball valves – high pressure



TRUNNION



Other available connections:

- NPT
- UN(F)
- DIN 2353 / ISO 8434-1 L & S series

Standard valve delivered with L-bore. For T-bore, please add T to the Part No.

3KH, steel

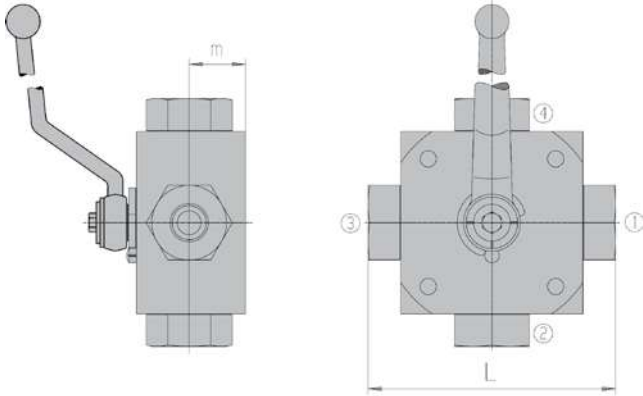
DN	Carbon steel		Data					Material				Flow
	Part No	ID Code	W.P.	G	L	M	Weight	Body	Ball	Seat	Seals	
4	3KH 1/8 R	2603410000	500	1/8" BSP	100	22	1,6	1	1	2	A	FULL BORE
6	3KH 1/4 R	2603410100	500	1/4" BSP	100	22	1,6	1	1	2	A	FULL BORE
10	3KH 3/8 R	2603410200	500	3/8" BSP	115	27	2,7	1	1	2	A	FULL BORE
13	3KH 1/2 R	2603410300	400	1/2" BSP	136	31	4,9	1	1	2	A	FULL BORE
20	3KH 3/4 R	2603410400	315	3/4" BSP	154	36,5	6,7	1	1	2	A	FULL BORE
25	3KH 1 R	2603410500	315	1" BSP	172	47,5	8,3	1	1	2	A	FULL BORE
25	3KH 1 1/4 R	2603410700	315	1.1/4" BSP	180	47,5	8,5	1	1	2	A	RED. BORE
25	3KH 1 1/2 R	2603410800	250	1.1/2" BSP	180	47,5	8,5	1	1	2	A	RED. BORE

3KH, stainless steel

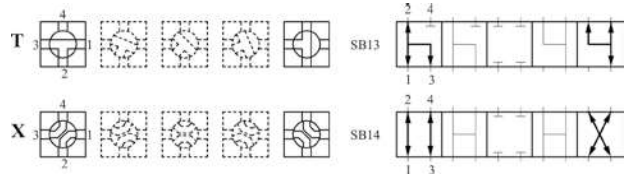
DN	Stainless steel		Data					Material				Flow
	Part No	ID Code	W.P.	G	L	M	Weight	Body	Ball	Seat	Seals	
4	3KH 1/8 R 316	2601410000	500	1/8" NPT	100	22	1,6	4	4	2	A	FULL BORE
6	3KH 1/4 R 316	2601410100	500	1/4" NPT	100	22	1,6	4	4	2	A	FULL BORE
10	3KH 3/8 R 316	2601410200	500	3/8" NPT	115	27	2,7	4	4	2	A	FULL BORE
13	3KH 1/2 R 316	2601410300	400	1/2" NPT	136	31	4,9	4	4	2	A	FULL BORE
20	3KH 3/4 R 316	2601410400	315	3/4" NPT	154	36,5	6,7	4	4	2	A	FULL BORE
25	3KH 1 R 316	2601410500	315	1" NPT	172	47,5	8,3	4	4	2	A	FULL BORE
25	3KH 1 1/4 R 316	2601410700	315	1.1/4" NPT	180	47,5	8,5	4	4	2	A	RED. BORE
25	3KH 1 1/2 R 316	2601410800	250	1.1/2" NPT	180	47,5	8,5	4	4	2	A	RED. BORE

Contact GS-Hydro for other material combinations, see also page 3.

Ball valves – high pressure



TRUNNION



Other available connections:

- NPT
- UN(F)
- DIN 2353 / ISO 8434-1 L & S series

Standard valve delivered with T-bore. For X-bore, please add X to the Part No.

4KH, steel

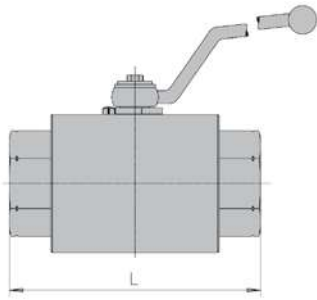
DN	Carbon steel		Data					Material				Flow
	Part No	ID Code	W.P.	G	L	M	Weight	Body	Ball	Seat	Seals	
4	4KH 1/8 R	2603420000	500	1/8" BSP	100	22	1,6	1	1	2	A	FULL BORE
6	4KH 1/4 R	2603420100	500	1/4" BSP	100	22	1,6	1	1	2	A	FULL BORE
10	4KH 3/8 R	2603420200	500	3/8" BSP	115	27	2,8	1	1	2	A	FULL BORE
13	4KH 1/2 R	2603420300	400	1/2" BSP	136	31	4,9	1	1	2	A	FULL BORE
20	4KH 3/4 R	2603420400	315	3/4" BSP	154	36,5	6,8	1	1	2	A	FULL BORE
25	4KH 1 R	2603420500	315	1" BSP	172	47,5	8,5	1	1	2	A	FULL BORE
25	4KH 1 1/4 R	2603420700	315	1.1/4" BSP	180	47,5	8,8	1	1	2	A	RED. BORE
25	4KH 1 1/2 R	2603420800	250	1.1/2" BSP	180	47,5	8,8	1	1	2	A	RED. BORE

4KH, stainless steel

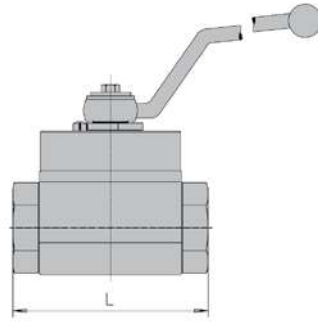
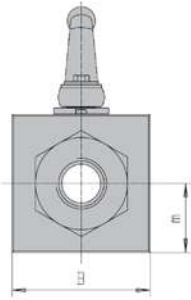
DN	Stainless steel		Data					Material				Flow
	Part No	ID Code	W.P.	G	L	M	Weight	Body	Ball	Seat	Seals	
4	4KH 1/8 R 316	2601420000	500	1/8" NPT	100	22	1,6	4	4	2	A	FULL BORE
6	4KH 1/4 R 316	2601420100	500	1/4" NPT	100	22	1,6	4	4	2	A	FULL BORE
10	4KH 3/8 R 316	2601420200	500	3/8" NPT	115	27	2,8	4	4	2	A	FULL BORE
13	4KH 1/2 R 316	2601420300	400	1/2" NPT	136	31	4,9	4	4	2	A	FULL BORE
20	4KH 3/4 R 316	2601420400	315	3/4" NPT	154	36,5	6,8	4	4	2	A	FULL BORE
25	4KH 1 R 316	2601420500	315	1" NPT	172	47,5	8,5	4	4	2	A	FULL BORE
25	4KH 1 1/4 R 316	2601420700	315	1.1/4" NPT	180	47,5	8,8	4	4	2	A	RED. BORE
25	4KH 1 1/2 R 316	2601420800	250	1.1/2" NPT	180	47,5	8,8	4	4	2	A	RED. BORE

Contact GS-Hydro for other material combinations, see also page 3.

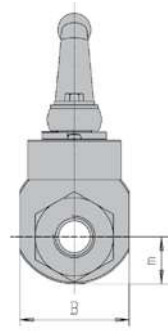
Ball valves – high pressure



800 bar



High temperature



800 bar

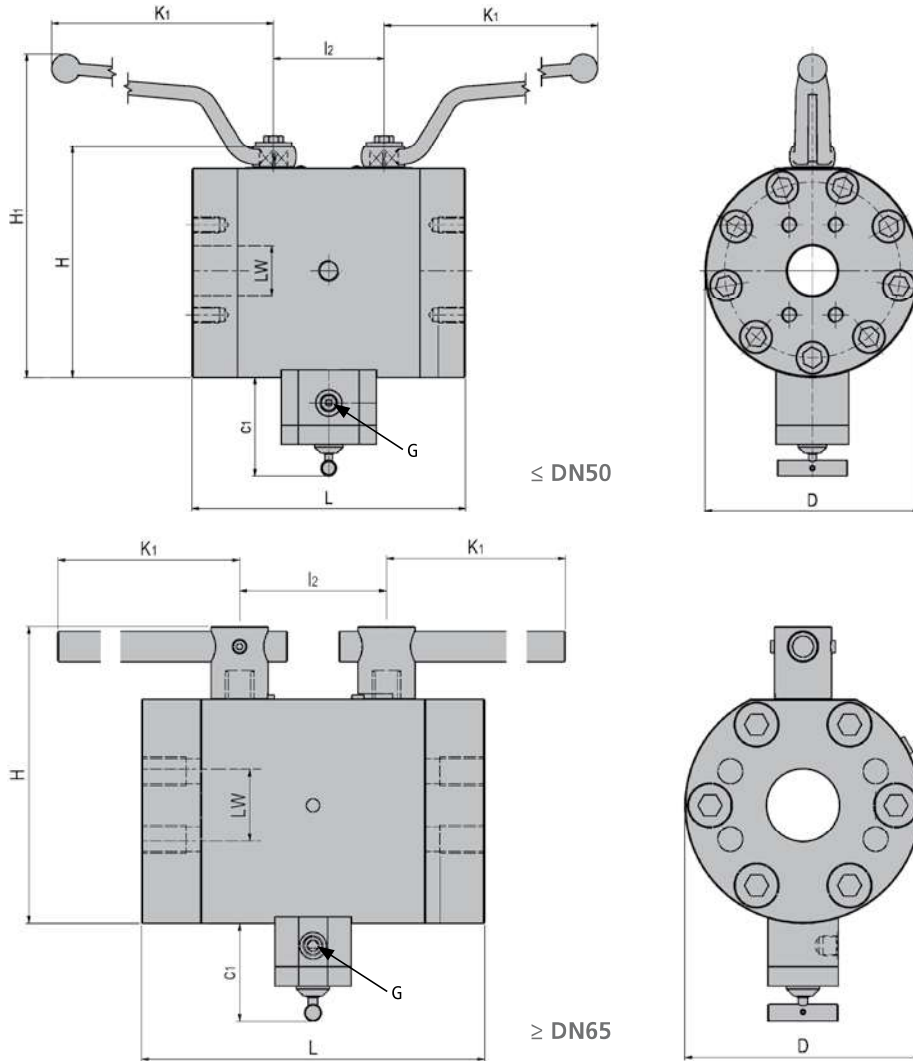
	DN	Carbon steel		Data						Material				Flow
		Part No	ID Code	W.P.	G	L	B	M	Weight	Body	Ball	Seat	Seals	
NPT	6	BKHP800 1/4 NPT	2603021000	800	1/4" NPT	130	50	25	1,92	8	1	b	A	FULL BORE
	10	BKHP800 3/8 NPT	2603021100	800	3/8" NPT	130	50	25	1,85	8	1	b	A	FULL BORE
	13	BKHP800 1/2 NPT	2603021200	800	1/2" NPT	130	50	25	1,79	8	1	b	A	FULL BORE
	20	BKHP800 3/4 NPT	2603021300	800	3/4" NPT	161	90	45	7,83	8	1	b	A	FULL BORE
	25	BKHP800 1 NPT	2603021400	800	1" NPT	164	90	45	7,68	8	1	b	A	FULL BORE
HEAVY SERIES	4	BKHP 800 08 S	2603505000	800	DIN 08S	110	50	25	1,6	8	1	b	A	FULL BORE
	6	BKHP 800 10 S	2603505100	800	DIN 10S	114	50	25	1,6	8	1	b	A	FULL BORE
	8	BKHP 800 12 S	2603505200	800	DIN 12S	114	50	25	1,64	8	1	b	A	FULL BORE
	10	BKHP 800 14 S	2603505300	800	DIN 14S	114	50	25	1,56	8	1	b	A	FULL BORE
	13	BKHP 800 16 S	2603505400	800	DIN 16S	114	50	25	1,58	8	1	b	A	FULL BORE
	13	BKHP 800 20 S	2603505500	800	DIN 20S	118	50	25	1,63	8	1	b	A	FULL BORE
	20	BKHP 800 25 S	2603505600	800	DIN 25S	162	90	45	7,31	8	1	b	A	FULL BORE
25	BKHP 800 30 S	2603505700	800	DIN 30S	166	90	45	7,4	8	1	b	A	FULL BORE	

High temperature, max. +500°C

DN	Stainless steel		Data						Material				Flow
	Part No	ID Code	W.P.	G	L	B	M	Weight	Body	Ball	Seat	Seals	
4	MKHT 500 1/8 R	2603940000	160	1/8" BSP	90	50	17	1,9	4	4	F	d	FULL BORE
6	MKHT 500 1/4 R	2603940100	160	1/4" BSP	90	50	17	1,9	4	4	F	d	FULL BORE
10	MKHT 500 3/8 R	2603940200	160	3/8" BSP	95	55	21	2,4	4	4	F	d	FULL BORE
16	MKHT 500 1/2 R	2603940300	160	1/2" BSP	110	70	27,5	4,1	4	4	F	d	FULL BORE
20	MKHT 500 3/4 R	2603940400	160	3/4" BSP	125	70	30	4,7	4	4	F	d	FULL BORE
25	MKHT 500 1 R	2603940500	160	1" BSP	140	80	35,5	6,4	4	4	F	d	FULL BORE
32	MKHT 500 1 1/4 R	2603940600	160	1.1/4" BSP	170	100	41,5	10,8	4	4	F	d	FULL BORE
40	MKHT 500 1 1/2 R	2603940700	160	1.1/2" BSP	180	120	55	15	4	4	F	d	FULL BORE
59	MKHT 500 2 R	2603940800	160	2" BSP	190	130	60,5	19	4	4	F	d	FULL BORE

Contact GS-Hydro for other material combinations, see also page 3.

Ball valves – high pressure



Double safety and bleed valve – Carbon steel

DN	Carbon steel		Data											Material				Flow
	Part No	ID Code	W.P.	LW	L	H	H1	D	K1	l2	C1 min	C1 max	G	Body	Ball	Seat	Seals	
20	DSB SAE210-20	2603950000	210	20	165	105	156	108	170	75	71,6	74,1	G1/4	1	1	2	A	FULL BORE
25	DSB SAE210-25	2603950050	210	25	180	118	169	128	170	80	72,1	74,6	G1/4	1	1	2	A	FULL BORE
40	DSB SAE210-40	2603950100	210	38	210	178	249	165	306	85	73,1	75,6	G1/4	1	1	2	A	FULL BORE
50	DSB SAE210-50	2603950150	210	48	225	214	285	205	306	93	73,1	75,6	G1/4	1	1	2	A	FULL BORE
40	DSB SAE420-40	2603950200	420	38	210	178	249	165	306	85	73,1	75,6	G1/4	1	1	2	A	FULL BORE
50	DSB SAE420-50	2603950250	420	45	225	214	285	205	306	93	73,1	75,6	G1/4	1	1	2	A	FULL BORE
65	DSB SAE420-65	2603950300	420	65	340	275	-	218	600	143	97,5	103,3	G1/2	1	1	2	A	FULL BORE
80	DSB SAE420-80	2603950350	420	76	360	307	-	248	600	154	97,5	103,3	G1/2	1	1	2	A	FULL BORE

Double safety and bleed valve – Stainless steel

DN	Stainless steel		Data											Material				Flow
	Part No	ID Code	W.P.	LW	L	H	H1	D	K1	l2	C1 min	C1 max	G	Body	Ball	Seat	Seals	
20	DSB SAE210-20 316	2601530000	210	20	165	105	156	108	170	75	71,6	74,1	G1/4	4	4	2	A	FULL BORE
25	DSB SAE210-25 316	2601530050	210	25	180	118	169	128	170	80	72,1	74,6	G1/4	4	4	2	A	FULL BORE
40	DSB SAE210-40 316	2601530100	210	38	210	178	249	165	306	85	73,1	75,6	G1/4	4	4	2	A	FULL BORE
50	DSB SAE210-50 316	2601530150	210	48	225	214	285	205	306	93	73,1	75,6	G1/4	4	4	2	A	FULL BORE
40	DSB SAE420-40 316	2601530200	420	38	210	178	249	165	306	85	73,1	75,6	G1/4	4	4	2	A	FULL BORE
50	DSB SAE420-50 316	2601530250	420	45	225	214	285	205	306	93	73,1	75,6	G1/4	4	4	2	A	FULL BORE
65	DSB SAE420-65 316	2601530300	420	65	340	275	-	218	600	143	97,5	103,3	G1/2	4	4	2	A	FULL BORE
80	DSB SAE420-80 316	2601530350	420	76	360	307	-	248	600	154	97,5	103,3	G1/2	4	4	2	A	FULL BORE

Contact GS-Hydro for other material combinations, see also page 3.